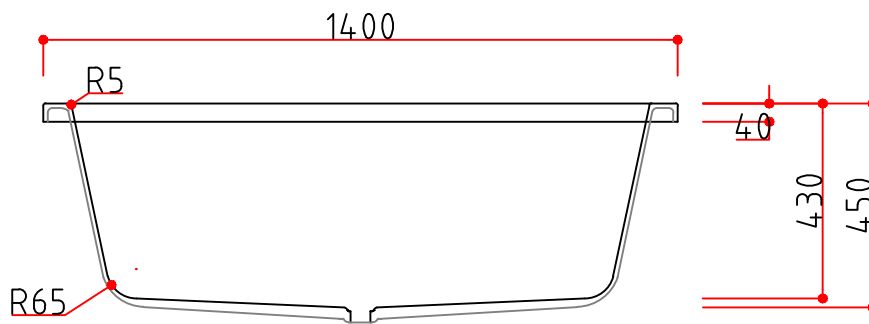


⊕ TOP VIEW



⊕ FRONT VIEW

NOTES      REV. NO.      REV. DATE.      PROJECT TITLE


그라세토\_1400

Design	Scale	1/NON
Drawn	DATE	
Checked	Drawing Title	GRASSETTO
Approved	Drawing No.	Sheet No.



interQua FACTORY  
 299-36, WANGNIM-RI  
 SEONGHWAN-EUP, CHEONAN-SI  
 CHUNGCHONGNAM-DO,  
 REPUBLIC OF KOREA  
 TEL : +82 - 41 - 531 - 7207,8  
 FAX : +82 - 41 - 531 - 7209