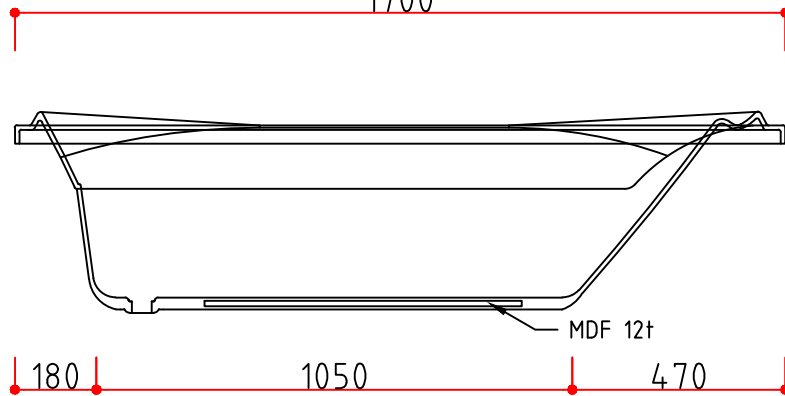


■ PRODUCT NAME

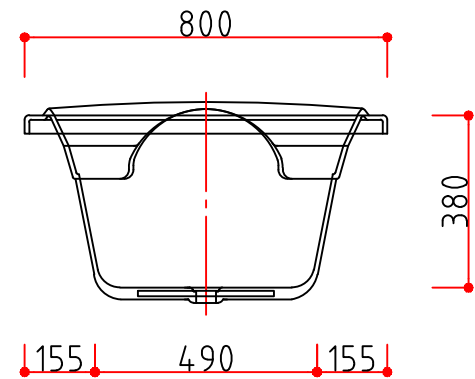
NASTRO



TOP VIEW



FRONT VIEW



SIDE VIEW

NOTES

REV NO.	REV DATE.	PROJECT TITLE
REV 00	2003. 10. 20.	나스트로
REV 01	2018. 10. 12.	

Design	Scale	1/NON
Drawn	DATE	2003. 10. 20.
Checked	Drawing Title	NASTRO
Approved	Drawing No.	IBT-1705

Sheet No.	G-10
-----------	------



interQua FACTORY
 299-36, WANGNIM-RI SEONGHWAN-EUP,
 CHEONAN-SI CHUNGCHONGNAM-DO,
 REPUBLIC OF KOREA
 TEL : +82 - 41 - 531 - 7207.8
 FAX : +82 - 41 - 531 - 7209