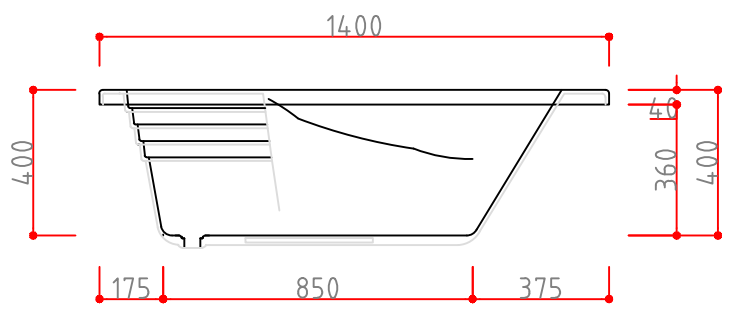


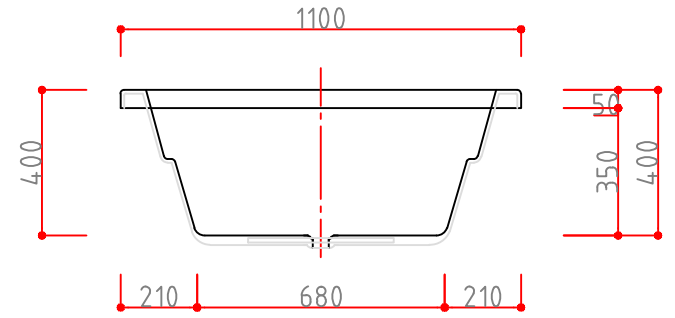
⊕ TOP VIEW

■ PRODUCT NAME

MARE



⊕ FRONT VIEW



⊕ SIDE VIEW

NOTES	REV. NO.	REV. DATE.	PROJECT TITLE
	REV 00	2003. 10. 20.	마레
	REV 01	2018. 10. 12. 배수구 변경	

Design	Scale	1/NON
Drawn	DATE	2003. 10. 20.
Checked	Drawing Title	MARE
Approved	Drawing No.	IBT-1604
	Sheet No.	G-04



■ interQua FACTORY
 299-36, WANGNIM-RI SEONGHWAN-EUP,
 CHEONAN-SI CHUNGHEONGNAM-DO,
 REPUBLIC OF KOREA
 TEL : +82 - 41 - 531 - 7207.8
 FAX : +82 - 41 - 531 - 7209