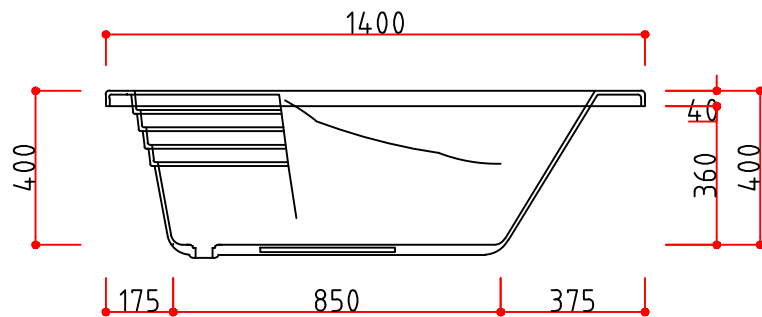
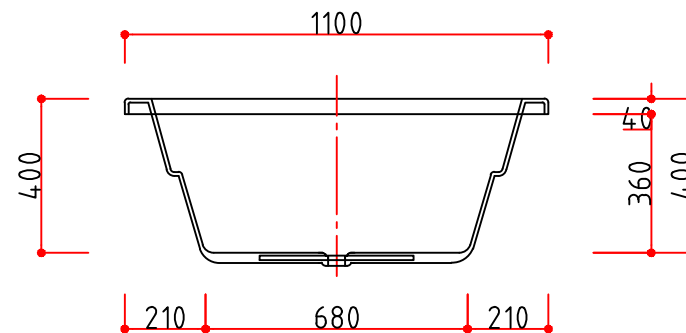


⊕ TOP VIEW



⊕ FRONT VIEW



⊕ SIDE VIEW

■ PRODUCT NAME

MARE

NOTES

REV NO.	REV DATE.	PROJECT TITLE
REV 00	2003. 10. 20.	마레
REV 01	2018. 10. 12. 배수구 변경	

Design	Scale
Drawn	DATE
Checked	Drawing Title
Approved	Drawing No. Sheet No.
	1/NON
	2003. 10. 20.
	MARE
	IBT-1604 G-04



interQua FACTORY
 299-36, WANGNIM-RI SEONGHWAN-EUP,
 CHEONAN-SI CHUNGCHEONGNAM-DO,
 REPUBLIC OF KOREA
 TEL : +82 - 41 - 531 - 7207.8
 FAX : +82 - 41 - 531 - 7209