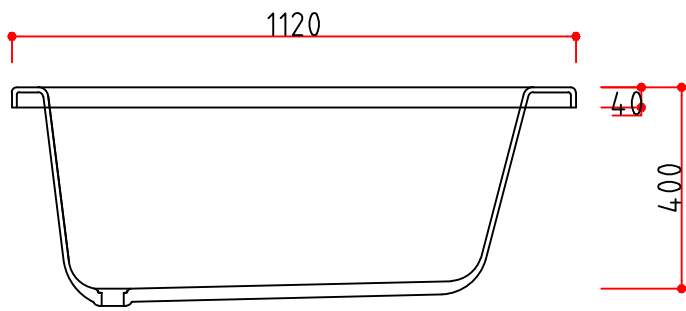
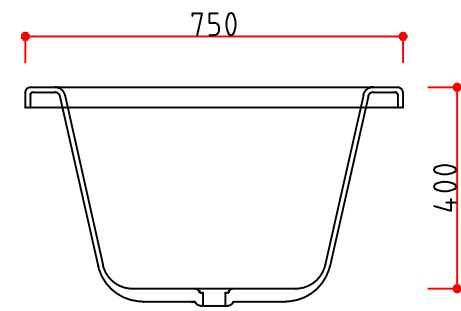


TOP VIEW



FRONT VIEW



SIDE VIEW

NOTES	REV NO.	REV DATE.	PROJECT TITLE
	REV 00	2024.01.12	<div data-bbox="918 1476 1030 1540" data-label="Text"> <p>미누</p> </div>

Design	Scale	1/NON
Drawn	DATE	2024.01.12
Checked	Drawing Title	MINOU
Approved	Drawing No.	Sheet No. R-04



**interQua FACTORY**  
 299-36, WANGNIM-RI SEONGHWAN-EUP,  
 CHEONAN-SI CHUNGCHONGNAM-DO,  
 REPUBLIC OF KOREA  
 TEL : +82 - 41 - 531 - 7207.8  
 F.A X : +82 - 41 - 531 - 7209