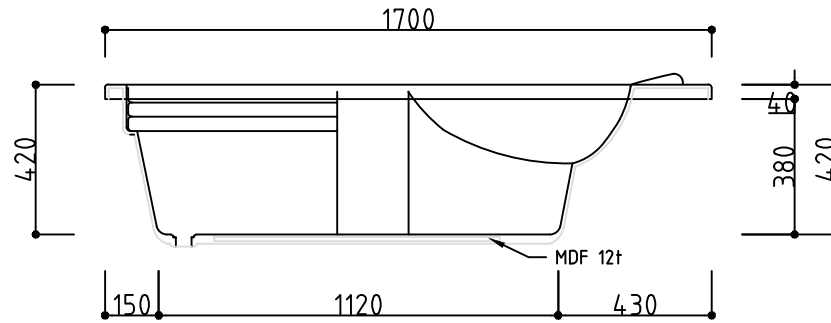
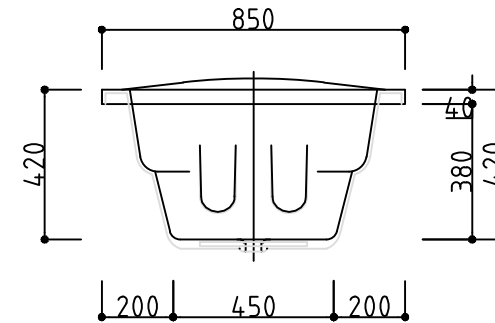


⊕ TOP VIEW



⊕ FRONT VIEW



⊕ SIDE VIEW

NOTES

REV NO.	REV DATE	PROJECT TITLE
REV 00	2012. 4. 20.	미띠
REV 01	2018. 10. 12. 배수구 변경	

PROJECT TITLE

미띠

Design	Scale	1/NON
Drawn	DATE	2012. 4. 20.
Checked	Drawing Title	MITE
Approved	Drawing No.	IBT-1708
	Sheet No.	G-08



interQua FACTORY
 299-36, WANGNIM-RI SEONGHWAN-EUP,
 CHEONAN-SI CHUNGHEONGNAM-DO,
 REPUBLIC OF KOREA
 TEL : +82 - 41 - 531 - 7207.8
 FAX : +82 - 41 - 531 - 7209