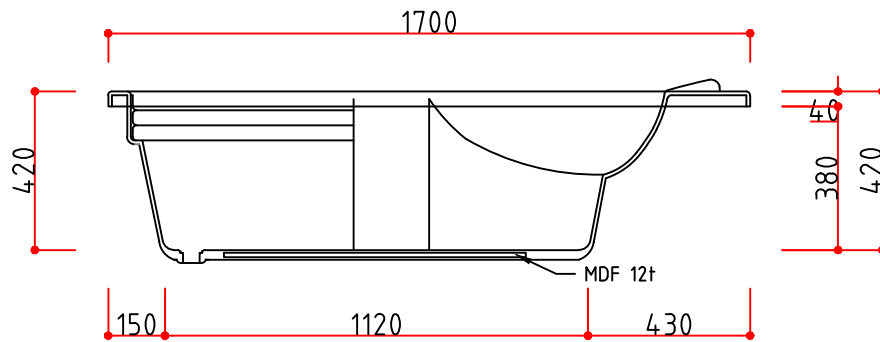
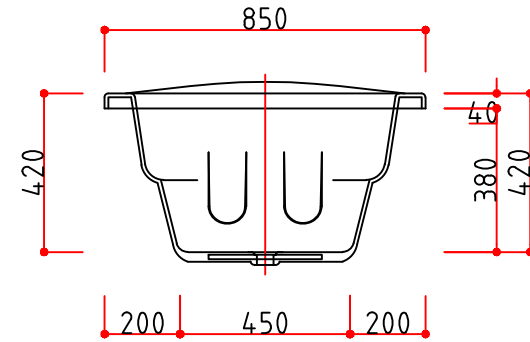


⊕ TOP VIEW



⊕ FRONT VIEW



⊕ SIDE VIEW

NOTES

REV NO.	REV DATE.	PROJECT TITLE
REV 00	2012. 4. 20.	미띠
REV 01	2018. 10. 12.	

PROJECT TITLE

미띠

Design	
Drawn	
Checked	
Approved	

Scale	1/NON
DATE	2012. 4. 20.
Drawing Title	MITE
Drawing No.	IBT-1708
Sheet No.	G-08



interQua FACTORY  
 299-36, WANGNIM-RI SEONGHWAN-EUP,  
 CHEONAN-SI CHUNGCHONGNAM-DO,  
 REPUBLIC OF KOREA  
 TEL : +82 - 41 - 531 - 7207.8  
 FAX : +82 - 41 - 531 - 7209