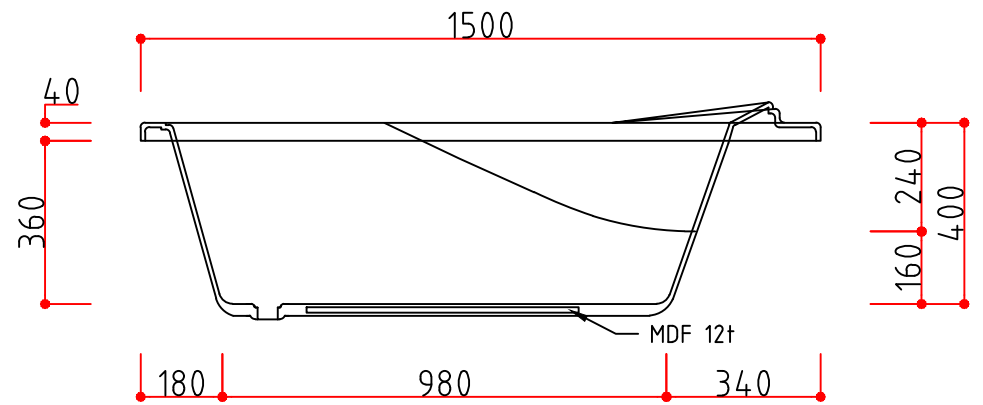


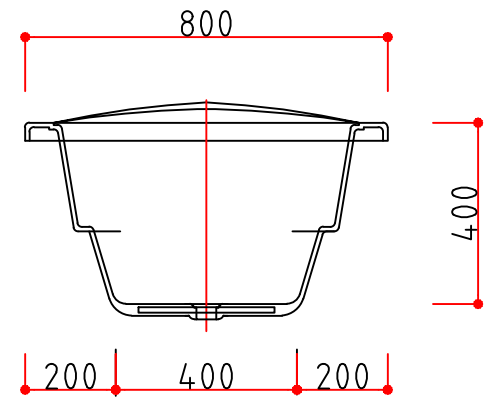
TOP VIEW



FRONT VIEW

■ PRODUCT NAME

VENTO



SIDE VIEW

NOTES

REV NO.	REV DATE.	PROJECT TITLE
REV 00	2003. 10. 20.	VENTO
REV 01	2018. 10. 12.	
		배수구 변경

Design	Scale
Drawn	DATE
Checked	Drawing Title
Approved	Drawing No.
	Sheet No.



interQua FACTORY  
 299-36, WANGNIM-RI SEONGHWAN-EUP,  
 CHEONAN-SI CHUNGCHONGNAM-DO,  
 REPUBLIC OF KOREA  
 TEL : +82 - 41 - 531 - 7207,8  
 FAX : +82 - 41 - 531 - 7209