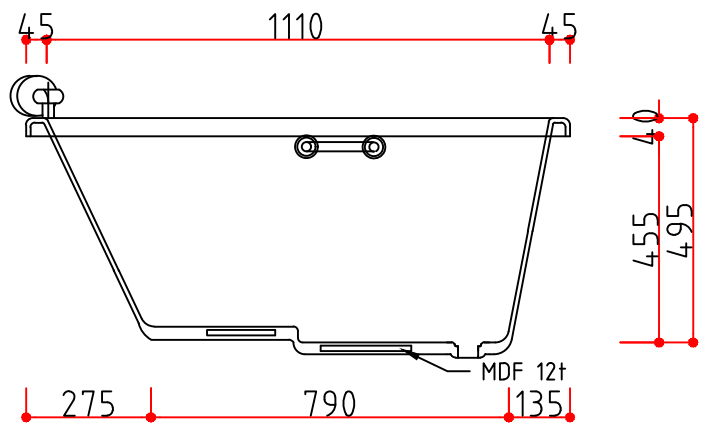
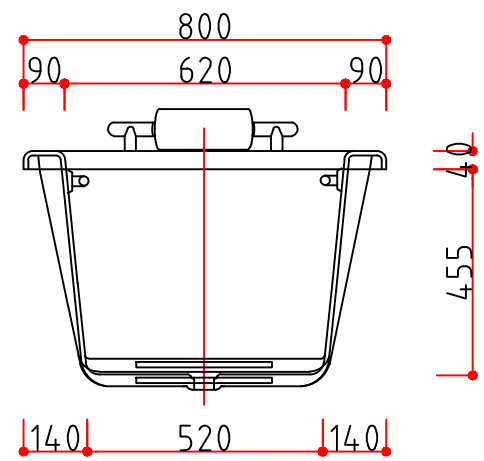


TOP VIEW



FRONT VIEW

■ PRODUCT NAME
BELLO



SIDE VIEW

NOTES

REV NO.	REV DATE.	PROJECT TITLE
REV 00	2003. 10. 20.	벨로
REV 01	2018. 10. 12.	

Design _____
 Drawn _____
 Checked _____
 Approved _____

Scale 1/NON
 DATE 2003. 10. 20.
 Drawing Title BELLO
 Drawing No. IBT-1201 Sheet No. L-01



interQua FACTORY
 299-36, WANGNIM-RI SEONGHWAN-EUP,
 CHEONAN-SI CHUNGCHONGNAM-DO,
 REPUBLIC OF KOREA
 TEL : +82 - 41 - 531 - 7207.8
 F.A X : +82 - 41 - 531 - 7209