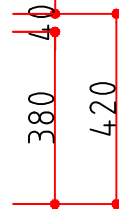
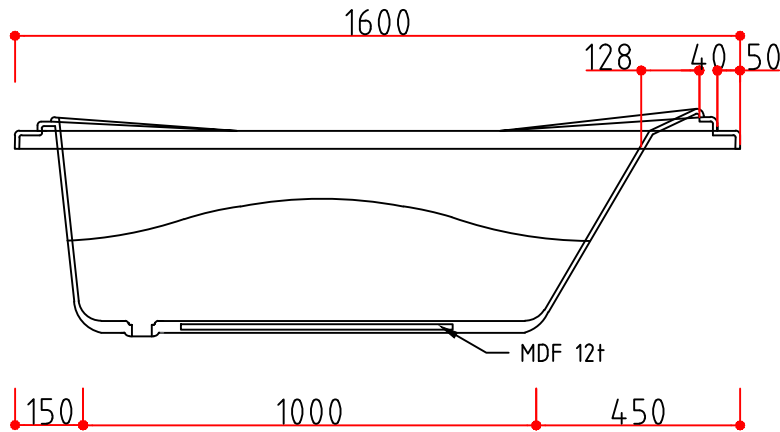


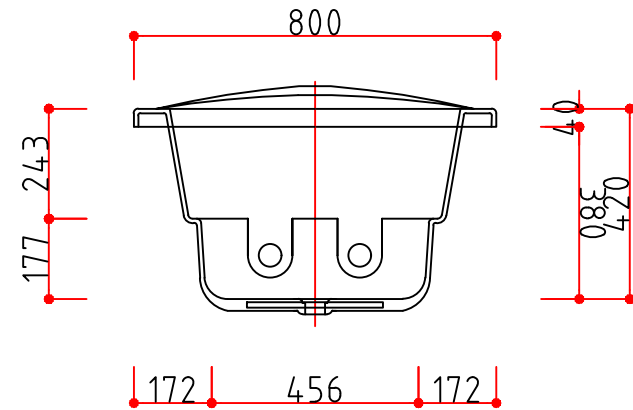
⊕ TOP VIEW

■ PRODUCT NAME

VIVACE



⊕ FRONT VIEW



⊕ SIDE VIEW

NOTES

REV NO.

REV 00
REV 01

REV DATE.

2003. 10. 20.
2018. 10. 12.

배수구 변경

PROJECT TITLE

비바체

Design	
Drawn	
Checked	
Approved	

Scale

1/NON

DATE

2003. 10. 20.

Drawing Title

VIVACE

Drawing No.

IBT-1605

Sheet No.

G-02



International bathware

interQua FACTORY

299-36, WANGNIM-RI SEONGHWAN-EUP, CHEONAN-SI CHUNGCHONGNAM-DO, REPUBLIC OF KOREA

TEL : +82 - 41 - 531 - 7207.8
FAX : +82 - 41 - 531 - 7209