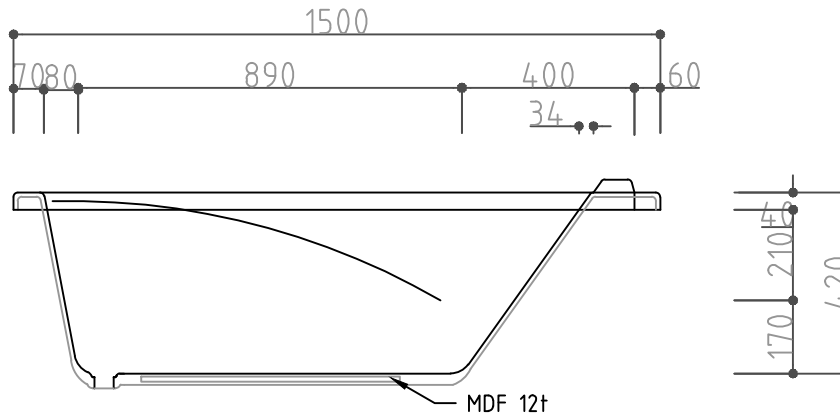
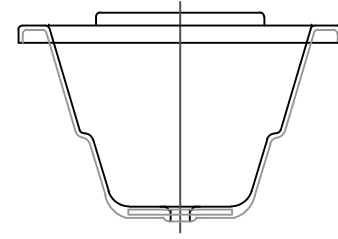
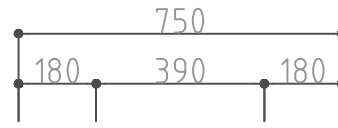


TOP VIEW



FRONT VIEW



SIDE VIEW

■ PRODUCT NAME

CELPIO

■ 본체 부품 설치 사양표

NO	품명	수량	비고
1	TUB BODY	1	유리섬유 강화고광택 아크릴(FRA)
2	OVER-FLOW DRAIN	1	FOOT-TOUCH SYSTEM
3			
4			
5			
6			

■ OPTION

NO	품명	수량	비고
1			
2			

NOTES	NO.	DATE	DESCRIPTION	PROJECT TITLE

CELPIO

Design	Scale	1/NON
Drawn	DATE	2003. 10. 20.
Checked	Drawing Title	CELPIO
Approved	Drawing No.	Sheet No. R-04



■ interQua FACTORY  
 625-1 SINNAM-RI DUNPO-MYOUN,  
 AHSAN-SHI CHUNGNAM, SOUTH KOREA  
 TEL : +82 - 41 - 531 - 7207.8  
 FAX : +82 - 41 - 531 - 7209