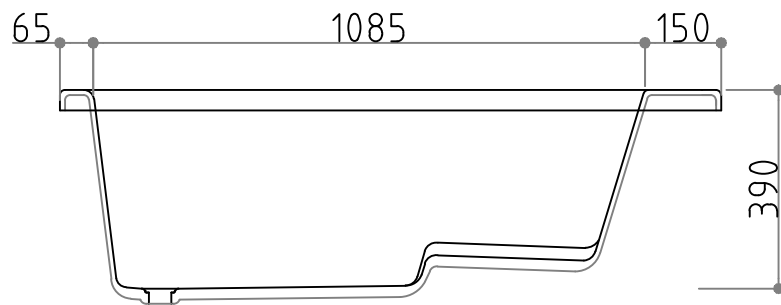
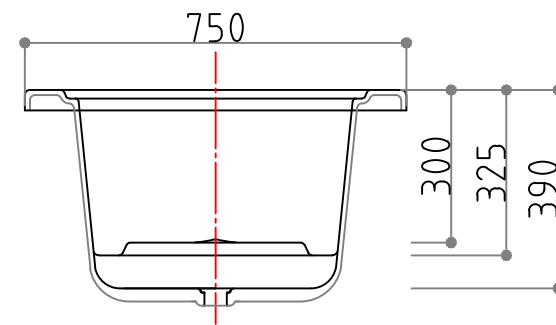


TOP VIEW



FRONT VIEW



SIDE VIEW

NOTES

REV NO. REV DATE.
 REV 00 2019. 08. 26.
 REV 01

PROJECT TITLE

스텔라

Design
 Drawn
 Checked
 Approved

Scale 1/NON
 DATE 2019. 08. 26.
 Drawing Title STELLA
 Drawing No. IBT-1302 Sheet No. G-10



interQua FACTORY
 299-36, WANGNIM-RI SEONGHWAN-EUP,
 CHEONAN-SI CHUNGCHEONGNAM-DO,
 REPUBLIC OF KOREA
 TEL : +82 - 41 - 531 - 7207.8
 FAX : +82 - 41 - 531 - 7209