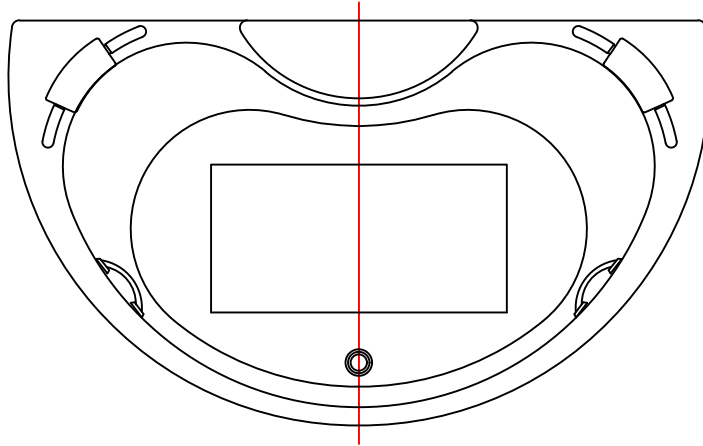


1895
1865
12.5 12.5

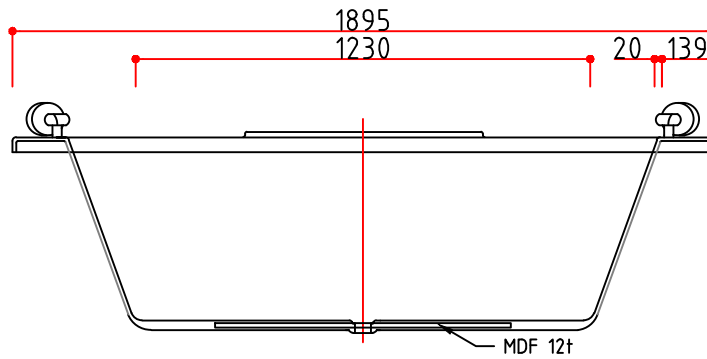


505
705
55 230
1095

TOP VIEW

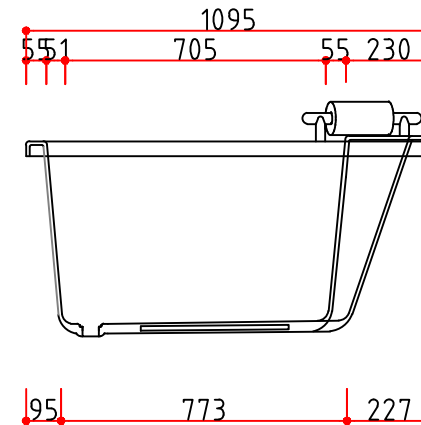
■ PRODUCT NAME

SPERANZA



40
455
495

FRONT VIEW



15
495

SIDE VIEW

NOTES

REV NO.	REV DATE.	PROJECT TITLE
REV 00	2003. 10. 20.	스페란자
REV 01	2018. 10. 20. 배수구 변경	

PROJECT TITLE

스페란자

Design	Scale
Drawn	DATE
Checked	Drawing Title
Approved	Drawing No.

Scale	1/NON
DATE	2003. 10. 20.
Drawing Title	SPERANZA
Drawing No.	IBT-1801 Sheet No. L-10



interQua FACTORY
299-36, WANGNIM-RI SEONGHWAN-EUP,
CHEONAN-SI CHUNGCHEONGNAM-DO,
REPUBLIC OF KOREA
TEL : +82 - 41 - 531 - 7207.8
FAX : +82 - 41 - 531 - 7209