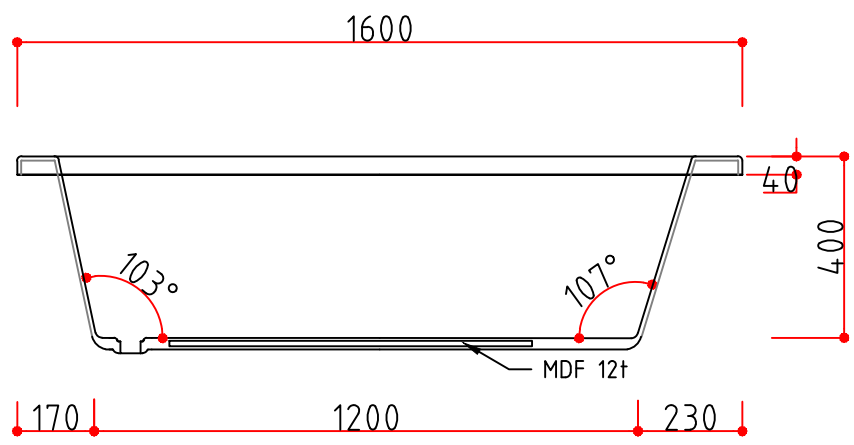


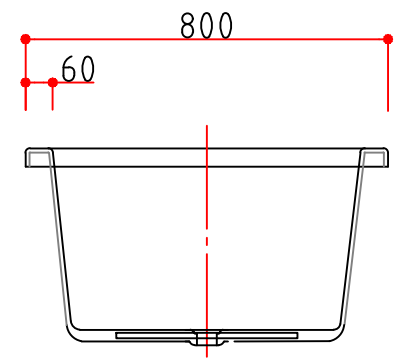
TOP VIEW

■ PRODUCT NAME

SPECCHIO



FRONT VIEW



SIDE VIEW

NOTES

REV NO.	REV DATE.	
REV 00	2016. 03. 10.	
REV 01	2018. 10. 12.	배수구 변경
REV 02	2020. 02. 19.	세부치수 변경

PROJECT TITLE

스페치오

Design	
Drawn	
Checked	
Approved	

Scale	1/NON
DATE	2016. 03. 10.
Drawing Title	SPECCHIO
Drawing No.	IBT-1623
Sheet No.	R-10



interQua FACTORY
 299-36, WANGNIM-RI SEONGHWAN-EUP,
 CHEONAN-SI CHUNGCHEONGNAM-DO,
 REPUBLIC OF KOREA
 TEL : +82 - 41 - 531 - 7207.8
 F.A X : +82 - 41 - 531 - 7209