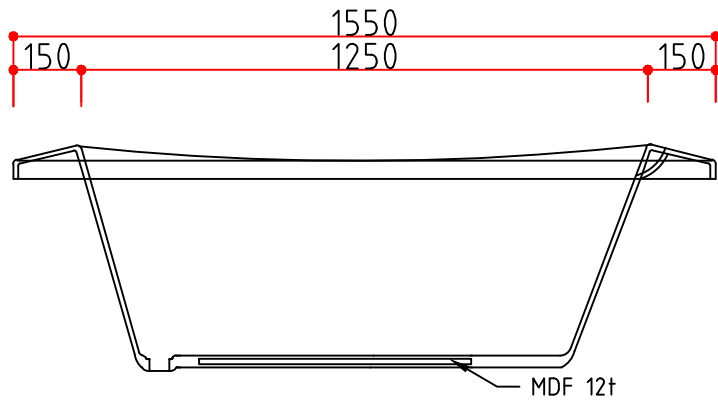


TOP VIEW

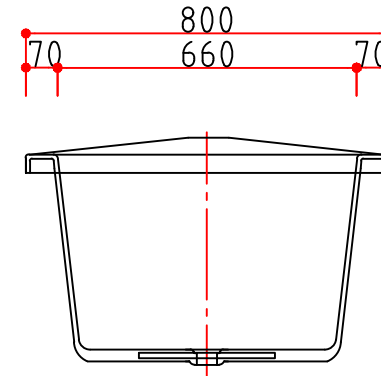


■ PRODUCT NAME

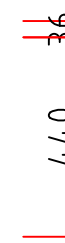
SORRISO



FRONT VIEW



SIDE VIEW



NOTES

REV NO.	REV DATE.	PROJECT TITLE
REV 00	2003. 10. 20.	쏘리쏘
REV 01	2018. 10. 12.	

쏘리쏘

Design	Scale
Drawn	DATE
Checked	Drawing Title
Approved	Drawing No.

1/NON
2003. 10. 20.
SORRISO
IBT-1502 Sheet No. L-03



interQua FACTORY
 299-36, WANGNIM-RI SEONGHWAN-EUP,
 CHEONAN-SI CHUNGCHONGNAM-DO,
 REPUBLIC OF KOREA
 TEL : +82 - 41 - 531 - 7207.8
 F.A X : +82 - 41 - 531 - 7209