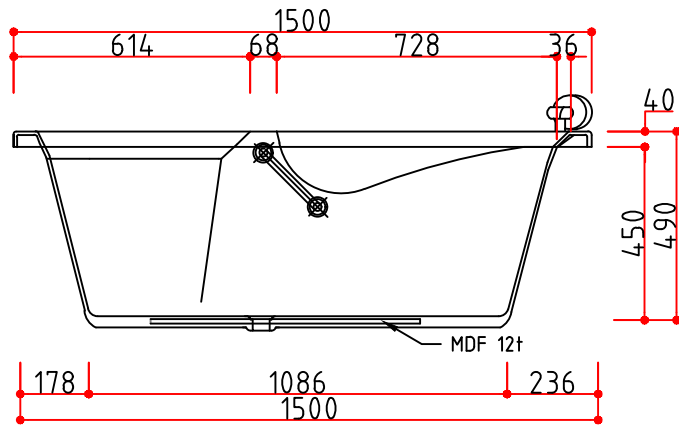
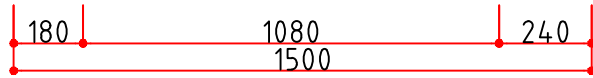


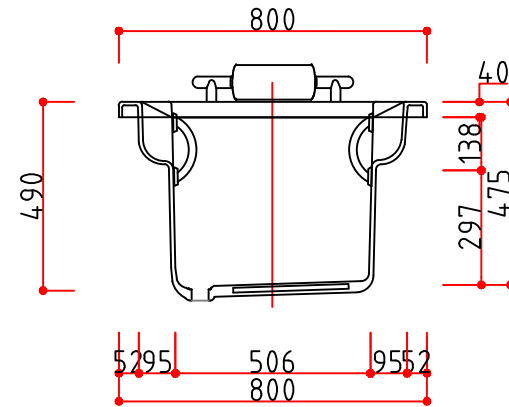
⊕ TOP VIEW



⊕ FRONT VIEW

■ PRODUCT NAME

SOCIO-A



⊕ SIDE VIEW

NOTES

REV NO.	REV DATE.	PROJECT TITLE
REV 00	2003. 10. 20.	
REV 01	2018. 10. 12.	배수구 변경

PROJECT TITLE

쏘치오-A

Design	
Drawn	
Checked	
Approved	

Scale	1/NON
DATE	2003. 10. 20.
Drawing Title	SOCIO-A
Drawing No.	IBT-1501
Sheet No.	L-02



interQua FACTORY
 299-36, WANGNIM-RI SEONGHWAN-EUP,
 CHEONAN-SI CHUNGCHONGNAM-DO,
 REPUBLIC OF KOREA
 TEL : +82 - 41 - 531 - 7207.8
 F A X : +82 - 41 - 531 - 7209