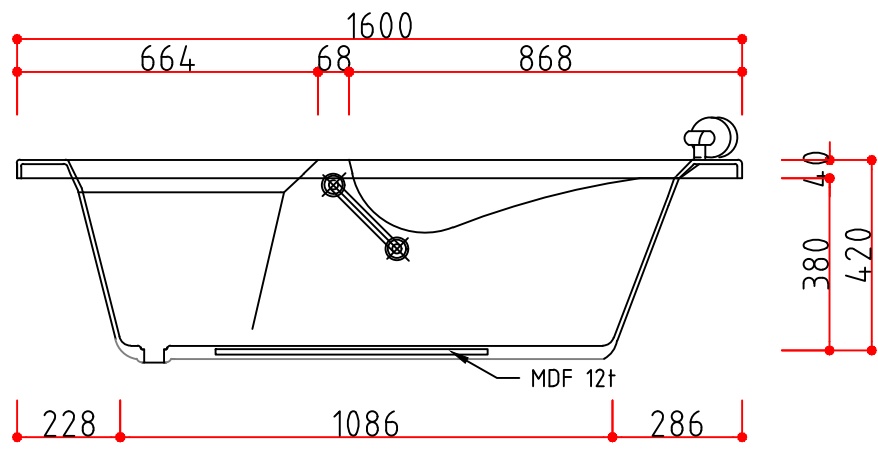
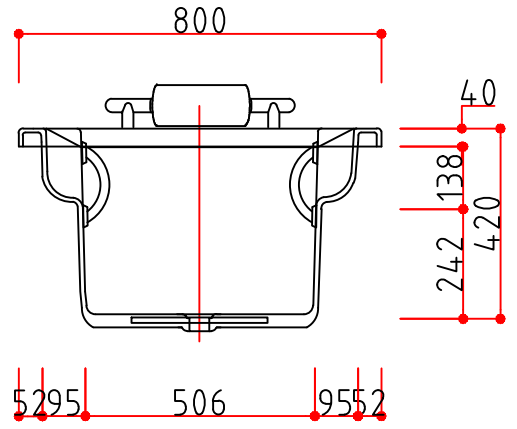


⊕ TOP VIEW



⊕ FRONT VIEW

■ PRODUCT NAME
SOCIO-B



⊕ SIDE VIEW

NOTES	REV NO.	REV DATE.	PROJECT TITLE
	REV 00	2003. 10. 20.	쏘치오-B
	REV 01	2018. 10. 12. 배수구 변경	

쏘치오-B

Design	Scale	1/NON
Drawn	DATE	2003. 10. 20.
Checked	Drawing Title	SOCIO-B
Approved	Drawing No.	IBT-1607
	Sheet No.	G-03



■ interQua FACTORY
299-36, WANGNIM-RI SEONGHWAN-EUP,
CHEONAN-SI CHUNGCHONGNAM-DO,
REPUBLIC OF KOREA
TEL : +82 - 41 - 531 - 7207.8
FAX : +82 - 41 - 531 - 7209