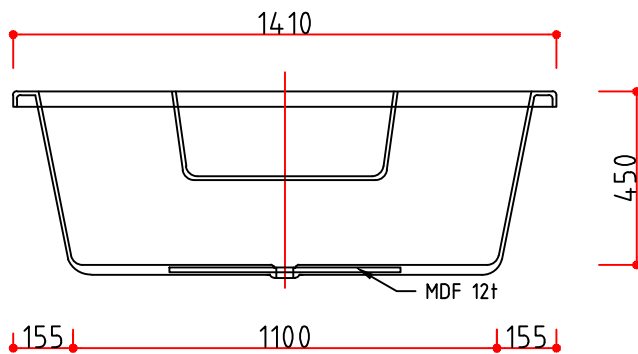


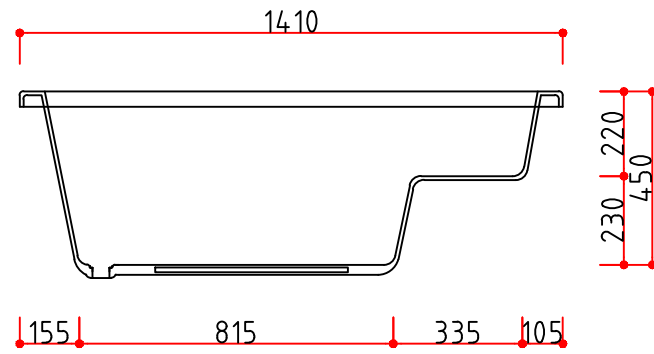
⊕ TOP VIEW

■ PRODUCT NAME

SOLE



⊕ FRONT VIEW



⊕ SIDE VIEW

NOTES

REV NO.	REV DATE.	PROJECT TITLE
REV 00	2003. 10. 20.	솔레
REV 01	2018. 10. 12.	

Design	Scale	1/NON
Drawn	DATE	2003. 10. 20.
Checked	Drawing Title	SOLE
Approved	Drawing No.	IBT-1401 Sheet No. L-08



interQua FACTORY  
 299-36, WANGNIM-RI SEONGHWAN-EUP,  
 CHEONAN-SI CHUNGCHEONGNAM-DO,  
 REPUBLIC OF KOREA  
 TEL : +82 - 41 - 531 - 7207.8  
 FAX : +82 - 41 - 531 - 7209