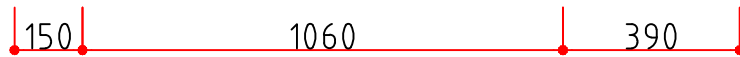
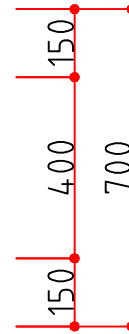
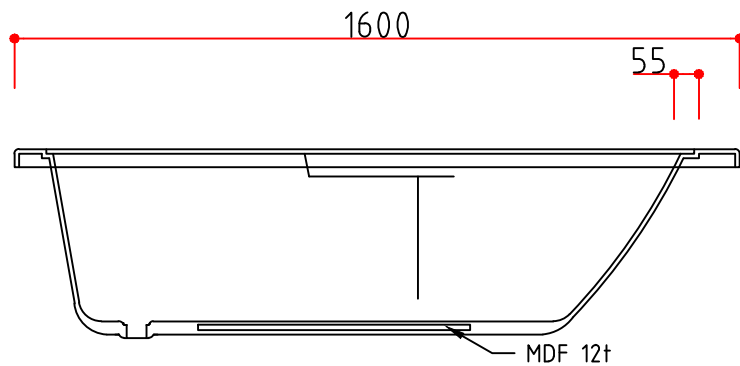


TOP VIEW

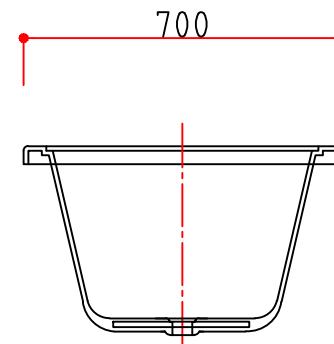


■ PRODUCT NAME

CIMA



FRONT VIEW



SIDE VIEW

NOTES


REV NO.

REV 00
REV 01

REV DATE.

2003. 10. 20.
2018. 10. 12.

배수구 변경

PROJECT TITLE

씨마

Design
Drawn
Checked
Approved

Scale

1/NON

DATE

2003. 10. 20.

Drawing Title

CIMA

Drawing No.

IBT-1612

Sheet No.

R-09



International  
bathware

interQua FACTORY

299-36, WANGNIM-RI SEONGHWAN-EUP,  
CHEONAN-SI CHUNGCHONGNAM-DO,  
REPUBLIC OF KOREA

TEL : +82 - 41 - 531 - 7207.8  
FAX : +82 - 41 - 531 - 7209