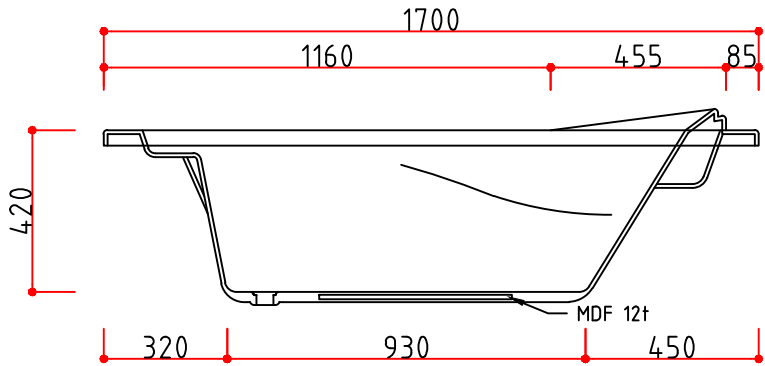
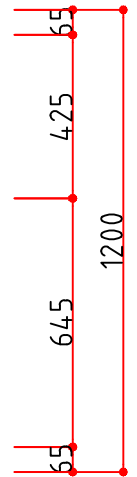
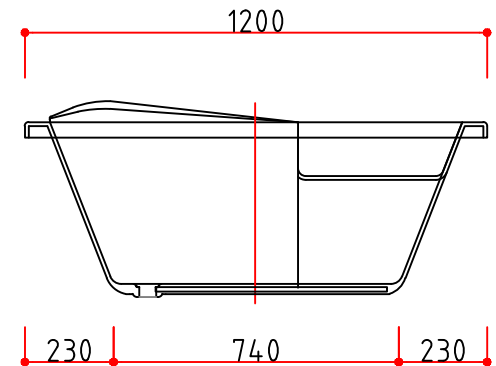


⊕ TOP VIEW



⊕ FRONT VIEW

■ PRODUCT NAME  
**AMANTE**



⊕ SIDE VIEW

NOTES	REV NO.	REV DATE.	PROJECT TITLE
	REV 00	2003. 10. 20.	아망떼
	REV 01	2018. 10. 12. 배수구 변경	

아망떼

Design	Scale	1/NON
Drawn	DATE	2003. 10. 20.
Checked	Drawing Title	AMANTE
Approved	Drawing No.	IBT-1702
	Sheet No.	G-12



■ interQua FACTORY  
 299-36, WANGNIM-RI SEONGHWAN-EUP,  
 CHEONAN-SI CHUNGCHONGNAM-DO,  
 REPUBLIC OF KOREA  
 TEL : +82 - 41 - 531 - 7207.8  
 FAX : +82 - 41 - 531 - 7209