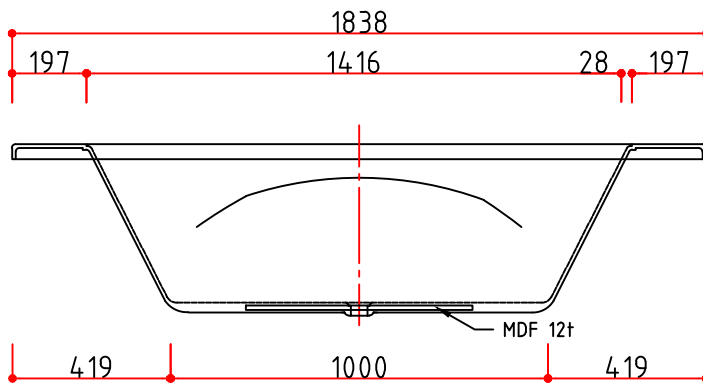


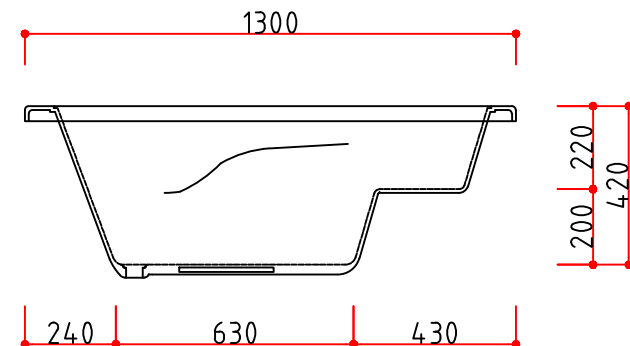
⊕ TOP VIEW

■ PRODUCT NAME

AMICO



⊕ FRONT VIEW



⊕ SIDE VIEW

NOTES

REV NO.	REV DATE.	PROJECT TITLE
REV 00	2003. 10. 20.	아미코
REV 01	2018. 10. 12. 배수구 변경	

Design	Scale
Drawn	DATE
Checked	Drawing Title
Approved	Drawing No.

1/NON
2003. 10. 20.
AMICO
IBT-1302 Sheet No. R-11



interQua FACTORY
 299-36, WANGNIM-RI SEONGHWAN-EUP,
 CHEONAN-SI CHUNGCHONGNAM-DO,
 REPUBLIC OF KOREA
 TEL : +82 - 41 - 531 - 7207.8
 FAX : +82 - 41 - 531 - 7209