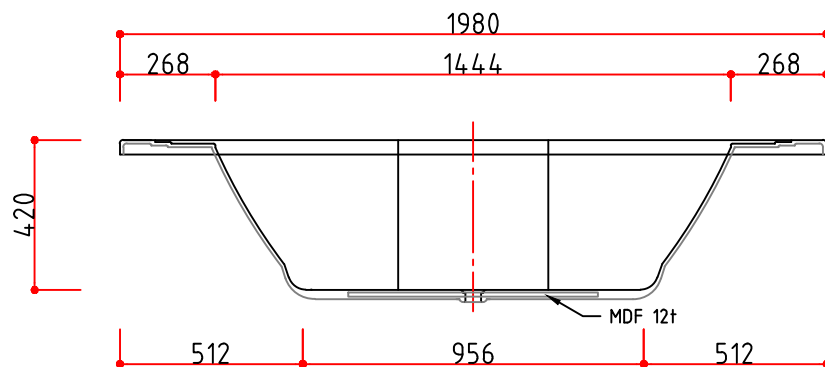


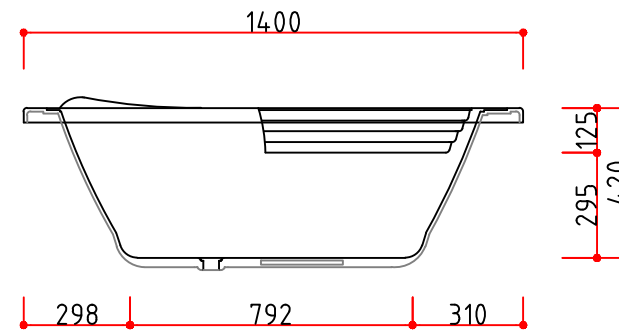
⊕ TOP VIEW

■ PRODUCT NAME

ETERNO



⊕ FRONT VIEW



⊕ SIDE VIEW

NOTES

REV. NO.	REV. DATE.	PROJECT TITLE
REV 00	2003. 10. 20.	에테르노
REV 01	2018. 10. 12.	

PROJECT TITLE

에테르노

Design	Scale	1/NON
Drawn	DATE	2003. 10. 20.
Checked	Drawing Title	ETERNO
Approved	Drawing No.	IBT-1403 Sheet No. R-12



■ interQua FACTORY  
 299-36, WANGNIM-RI SEONGHWAN-EUP,  
 CHEONAN-SI CHUNGHEONGNAM-DO,  
 REPUBLIC OF KOREA  
 TEL : +82 - 41 - 531 - 7207.8  
 FAX : +82 - 41 - 531 - 7209