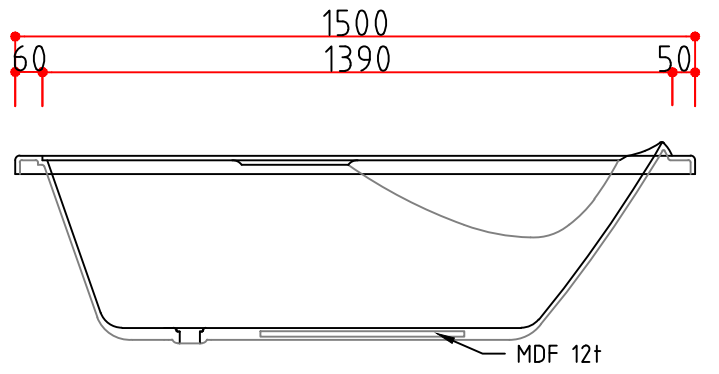
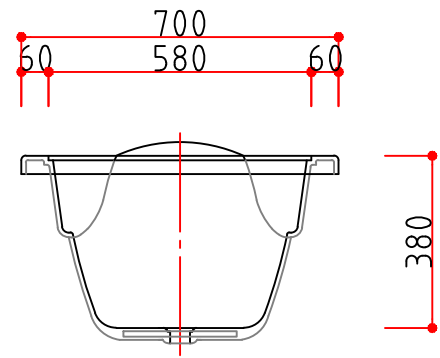


TOP VIEW

■ PRODUCT NAME  
EROE



FRONT VIEW



SIDE VIEW

NOTES	REV NO.	REV DATE.	PROJECT TITLE
	REV 00	2003. 10. 20.	에로에C
	REV 01	2018. 10. 12. 배수구 변경	
	REV 02	2018. 11. 16. 설명 추가	

Design	Scale	1/NON
Drawn	DATE	2003. 10. 20.
Checked	Drawing Title	EROE-C
Approved	Drawing No.	IBT-1530
	Sheet No.	R-05



■ interQua FACTORY  
299-36, WANGNIM-RI SEONGHWAN-EUP,  
CHEONAN-SI CHUNGCHONGNAM-DO,  
REPUBLIC OF KOREA  
TEL : +82 - 41 - 531 - 7207.8  
FAX : +82 - 41 - 531 - 7209