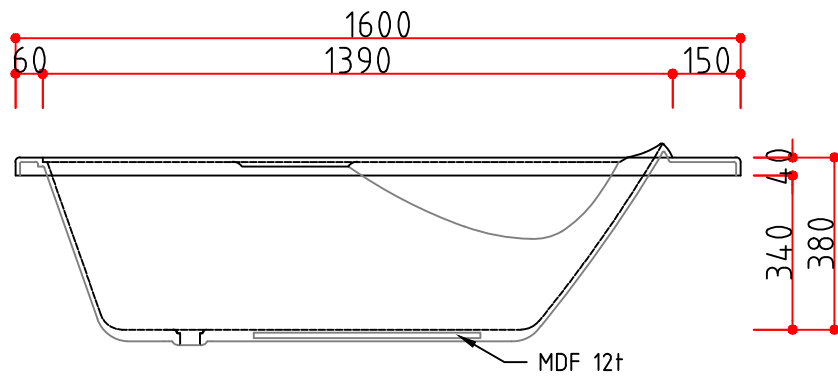


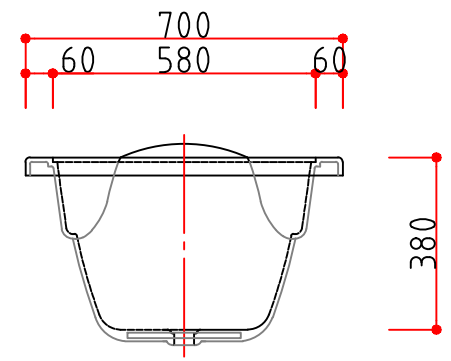
TOP VIEW

PRODUCT NAME

EROE



FRONT VIEW



SIDE VIEW

NOTES

REV NO.	REV DATE.	REV DATE.
REV 00	2016. 10. 20.	
REV 01	2018. 10. 12.	배수구 변경
REV 02	2018. 11. 16.	설명 추가

PROJECT TITLE

에로에B

Design	
Drawn	
Checked	
Approved	

Scale	1/NON
DATE	2016. 10. 20.
Drawing Title	EROE-B
Drawing No.	IBT-1630
Sheet No.	R-05



interQua FACTORY
 299-36, WANGNIM-RI SEONGHWAN-EUP,
 CHEONAN-SI CHUNGCHONGNAM-DO,
 REPUBLIC OF KOREA
 TEL : +82 - 41 - 531 - 7207.8
 F.A X : +82 - 41 - 531 - 7209