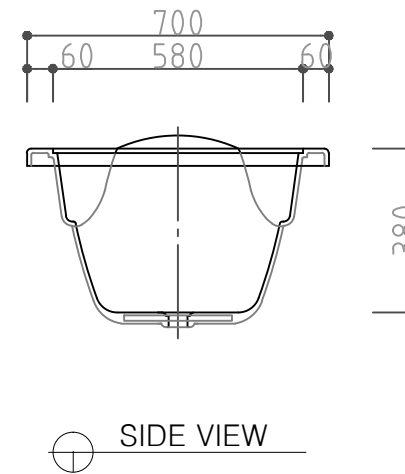
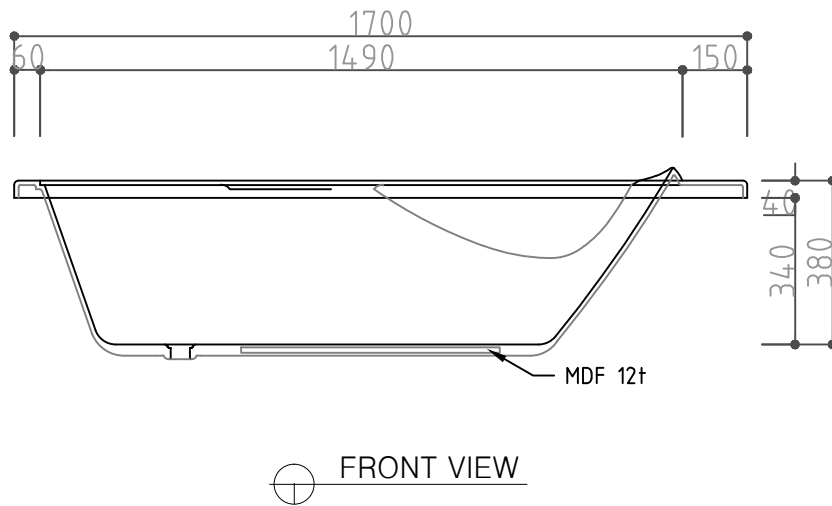


■ PRODUCT NAME

EROE



NOTES

NO.	DATE	DESCRIPTION

PROJECT TITLE

에로에(1700)

Design	
Drawn	
Checked	
Approved	

Scale	1/NON
DATE	2003. 10. 20.
Drawing Title	EROE
Drawing No.	Sheet No. R-05



■ interQua FACTORY
 299-36, WANGNIM-RI SEONGHWAN-EUP,
 CHEONAN-SI CHUNGCHONGNAM-DO,
 REPUBLIC OF KOREA
 TEL : +82 - 41 - 531 - 7207.8
 FAX : +82 - 41 - 531 - 7209