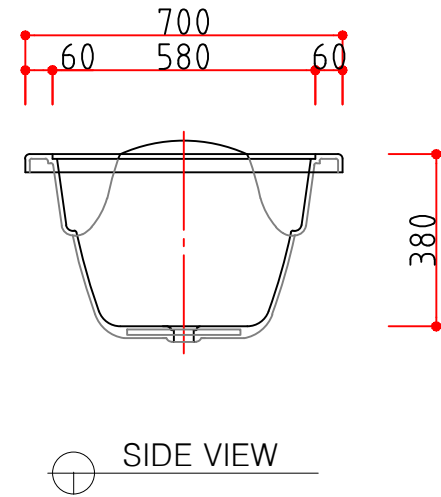
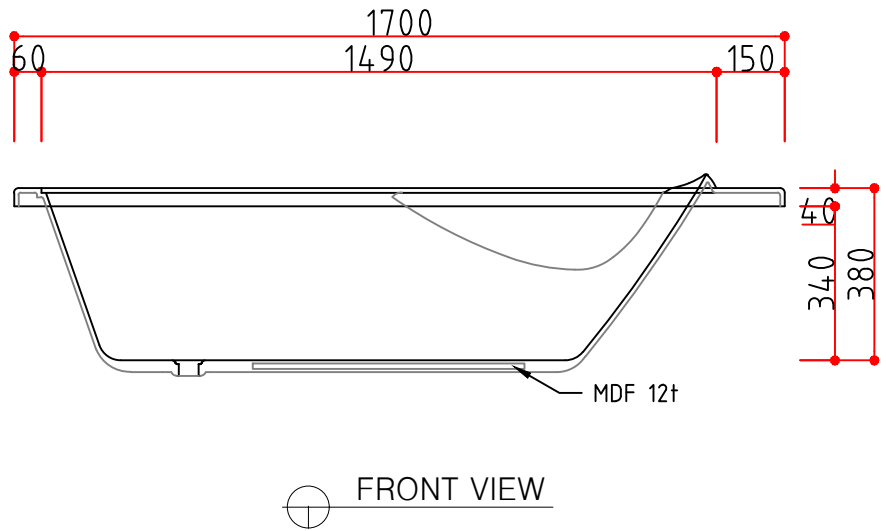


■ PRODUCT NAME

EROE



NOTES

REV NO.	REV DATE.	REV DATE.
REV 00	2003. 10. 20.	
REV 01	2018. 10. 12.	배수구 변경
REV 02	2018. 11. 16.	설명 추가

PROJECT TITLE

에로에A

Design	
Drawn	
Checked	
Approved	

Scale	1/NON
DATE	2003. 10. 20.
Drawing Title	EROE-A
Drawing No.	IBT-1730
Sheet No.	R-05



interQua FACTORY
299-36, WANGNIM-RI SEONGHWAN-EUP,
CHEONAN-SI CHUNGCHEONGNAM-DO,
REPUBLIC OF KOREA
TEL : +82 - 41 - 531 - 7207.8
FAX : +82 - 41 - 531 - 7209