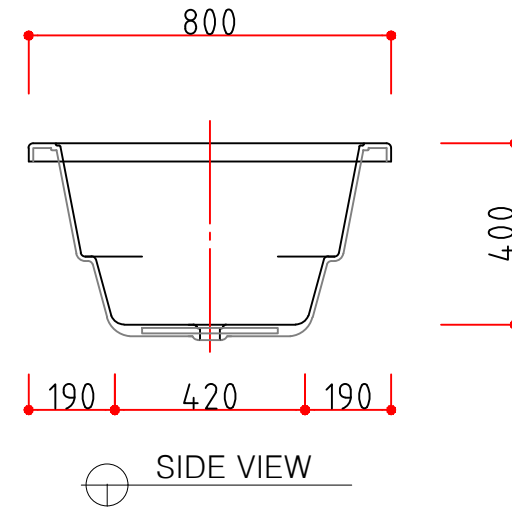
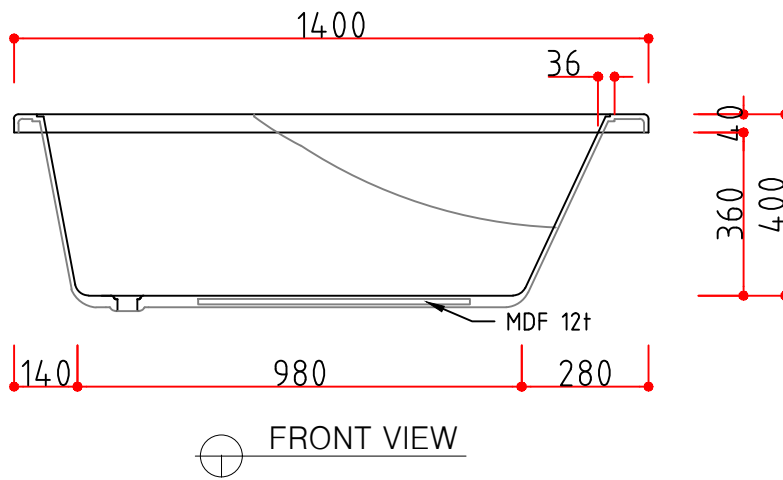


■ PRODUCT NAME

ONDA



NOTES

REV NO.

REV DATE.

PROJECT TITLE

REV 00

2003. 10. 20.

REV 01

2018. 10. 12. 배수구 변경

온다

Design

Scale 1/NON

Drawn

DATE 2003. 10. 20.

Checked

Drawing Title ONDA

Approved

Drawing No. IBT-1403 Sheet No. R-01



International bathware

■ interQua FACTORY

299-36, WANGNIM-RI SEONGHWAN-EUP,
CHEONAN-SI CHUNGCHONGNAM-DO,
REPUBLIC OF KOREA

TEL : +82 - 41 - 531 - 7207.8
FAX : +82 - 41 - 531 - 7209