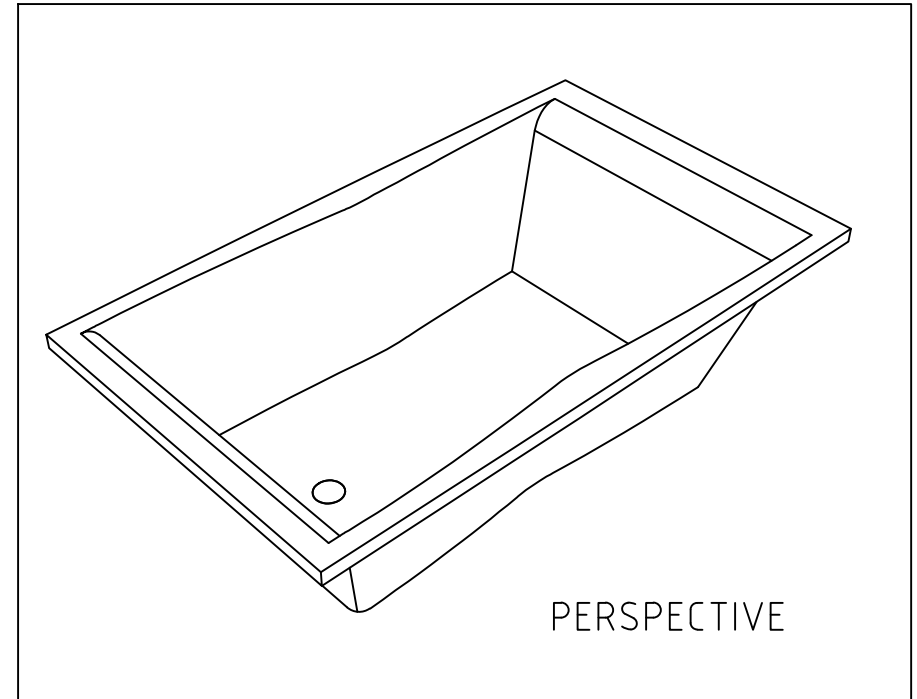
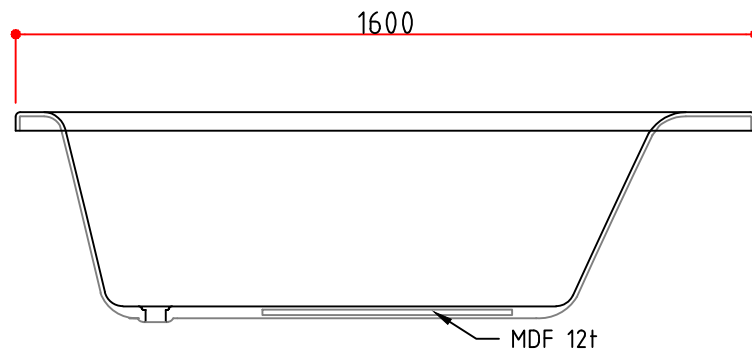


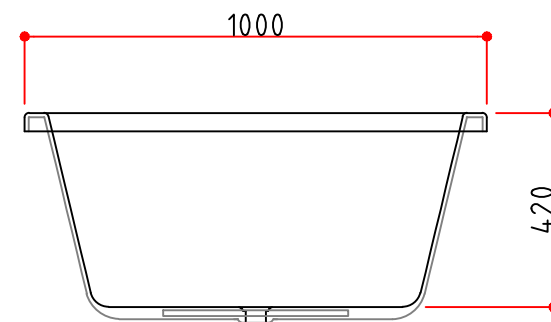
⊕ TOP VIEW



PERSPECTIVE



⊕ FRONT VIEW



⊕ SIDE VIEW

NOTES

REV NO.  
REV 00

REV DATE.  
2021. 01. 03.

PROJECT TITLE

우노II

Design \_\_\_\_\_  
 Drawn \_\_\_\_\_  
 Checked \_\_\_\_\_  
 Approved \_\_\_\_\_

Scale 1/NON  
 DATE 2021. 01. 03.  
 Drawing Title UNO  
 Drawing No. IBT-1614 Sheet No. R-04



interQua FACTORY  
 299-36, WANGNIM-RI SEONGHWAN-EUP,  
 CHEONAN-SI CHUNGCHEONGNAM-DO,  
 REPUBLIC OF KOREA  
 TEL : +82 - 41 - 531 - 7207.8  
 F.A X : +82 - 41 - 531 - 7209