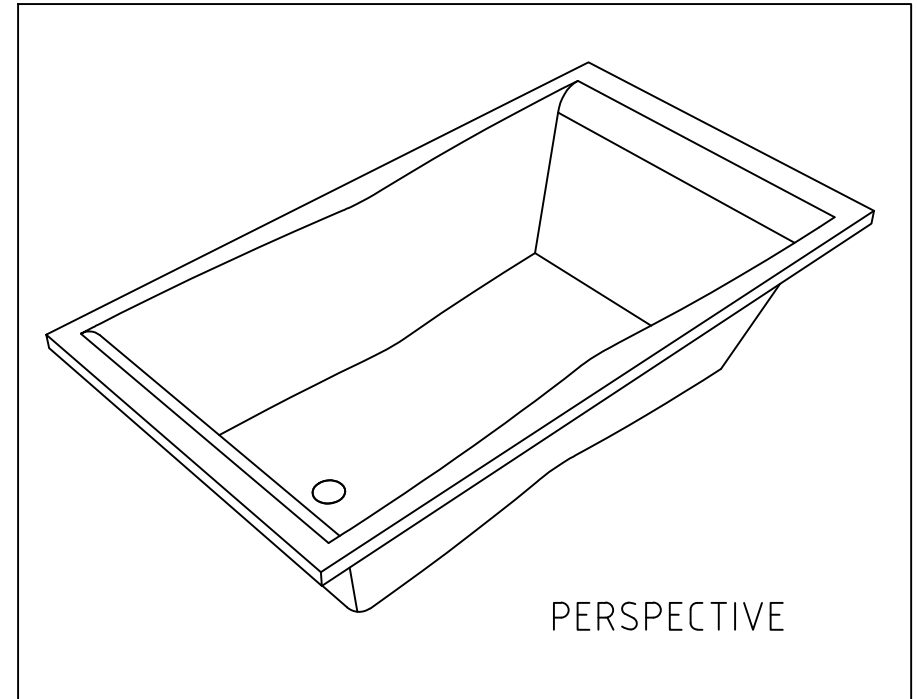
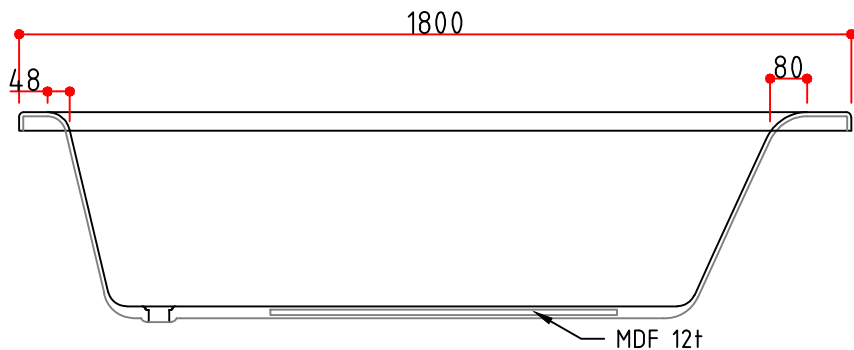


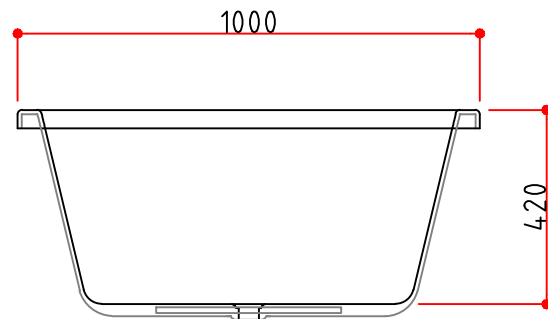
⊕ TOP VIEW



PERSPECTIVE



⊕ FRONT VIEW



⊕ SIDE VIEW

NOTES

REV NO.	REV DATE.	PROJECT TITLE
REV 00	2003. 10. 20.	우노II
REV 01	2018. 5. 20.	

Design	Scale
Drawn	DATE
Checked	Drawing Title
Approved	Drawing No.

1/NON
2003. 10. 20.
UNO
IBT-1805 Sheet No. R-04



interQua FACTORY
 299-36, WANGNIM-RI SEONGHWAN-EUP,
 CHEONAN-SI CHUNGCHONGNAM-DO,
 REPUBLIC OF KOREA
 TEL : +82 - 41 - 531 - 7207.8
 F A X : +82 - 41 - 531 - 7209