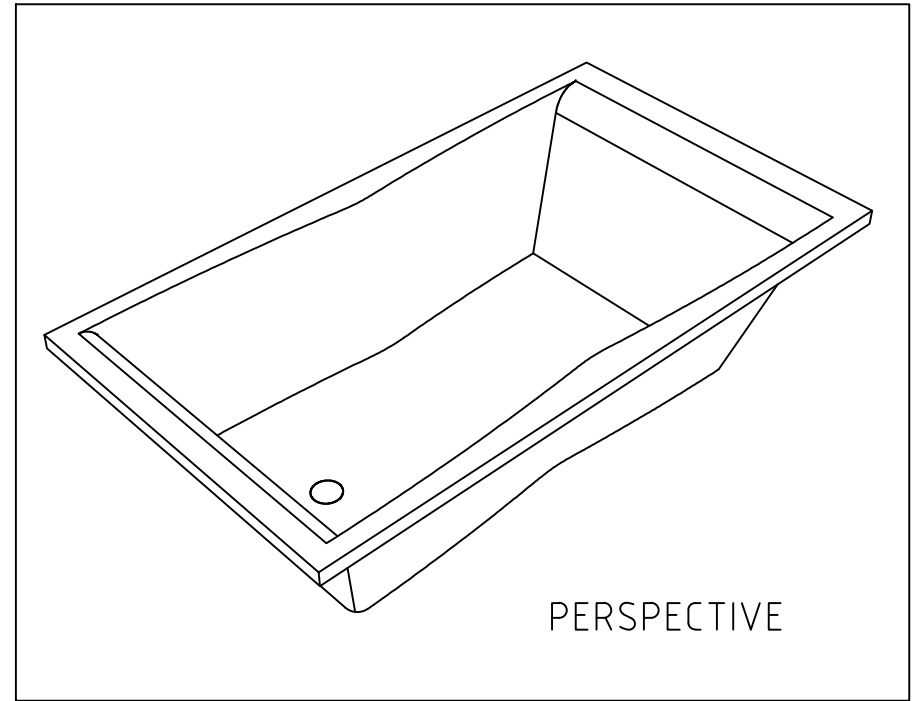
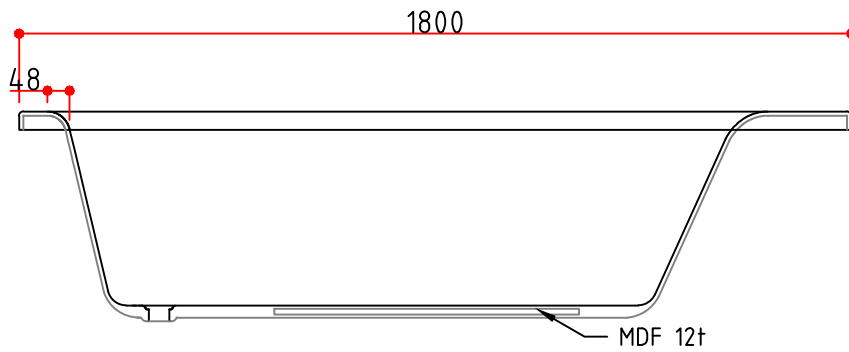


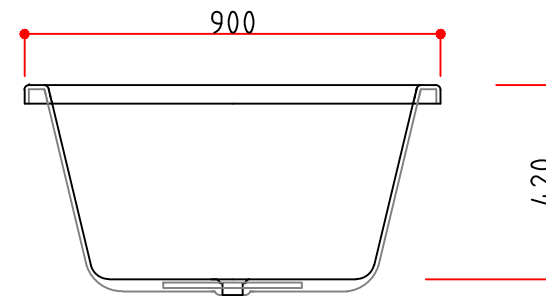
TOP VIEW



PERSPECTIVE



FRONT VIEW



SIDE VIEW

NOTES

REV NO.	REV DATE.	PROJECT TITLE
REV 00	2003. 10. 20.	우호
REV 01	2018. 5. 20.	

PROJECT TITLE

우호

Design	
Drawn	
Checked	
Approved	

Scale	1/NON
DATE	2003. 10. 20.
Drawing Title	UNO
Drawing No.	IBT-1804
Sheet No.	R-04



interQua FACTORY
 299-36, WANGNIM-RI SEONGHWAN-EUP,
 CHEONAN-SI CHUNGCHONGNAM-DO,
 REPUBLIC OF KOREA
 TEL : +82 - 41 - 531 - 7207.8
 FAX : +82 - 41 - 531 - 7209