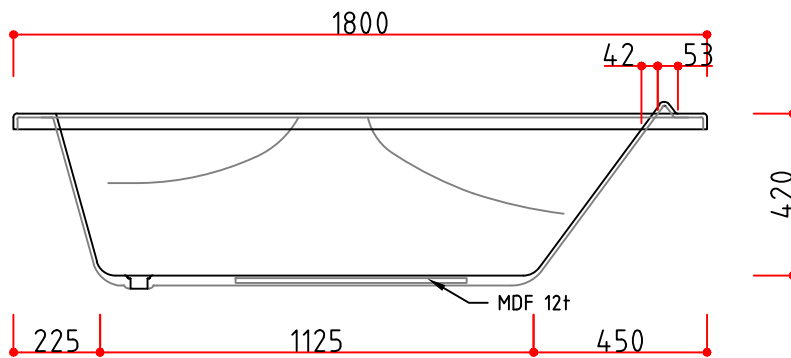


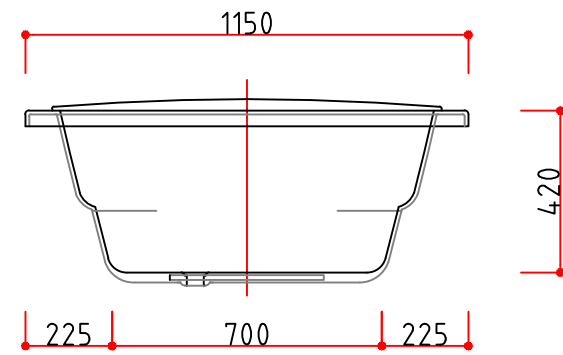
TOP VIEW

■ PRODUCT NAME

ILLUSO



FRONT VIEW



SIDE VIEW

NOTES

REV NO.	REV DATE.	PROJECT TITLE
REV 00	2003. 10. 20.	일루쏘
REV 01	2018. 10. 12.	

일루쏘

Design	Scale
Drawn	DATE
Checked	Drawing Title
Approved	Drawing No.

Scale	1/NON
DATE	2003. 10. 20.
Drawing Title	ILLUSO
Drawing No.	IBT-1810
Sheet No.	G-13



interQua FACTORY  
 299-36, WANGNIM-RI SEONGHWAN-EUP,  
 CHEONAN-SI CHUNGCHONGNAM-DO,  
 REPUBLIC OF KOREA  
 TEL : +82 - 41 - 531 - 7207.8  
 FAX : +82 - 41 - 531 - 7209