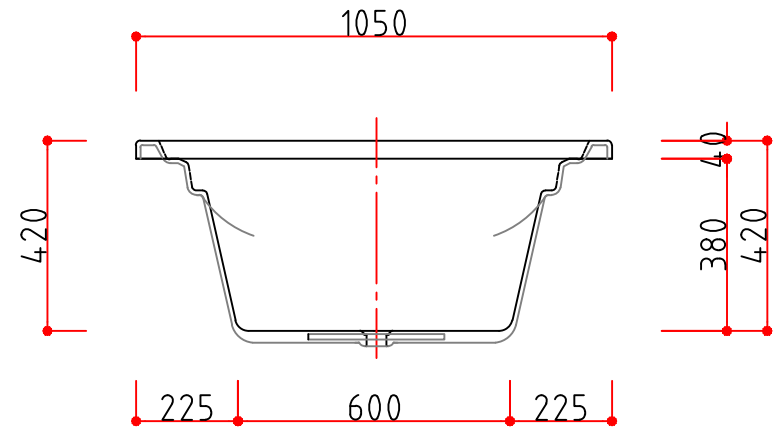
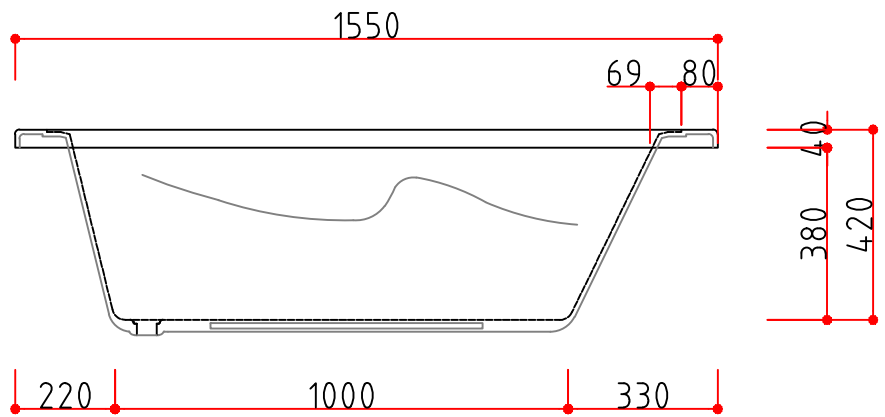


■ PRODUCT NAME

CUORE



NOTES

REV NO.	REV DATE.	PROJECT TITLE
REV 00	2003. 10. 20.	쿠오레
REV 01	2018. 10. 12.	

Design	Scale
Drawn	DATE
Checked	Drawing Title
Approved	Drawing No.

1/NON
2003. 10. 20.
CUORE
IBT-1504 Sheet No. G-01



interQua FACTORY  
 299-36, WANGNIM-RI SEONGHWAN-EUP,  
 CHEONAN-SI CHUNGCHONGNAM-DO,  
 REPUBLIC OF KOREA  
 TEL : +82 - 41 - 531 - 7207.8  
 FAX : +82 - 41 - 531 - 7209