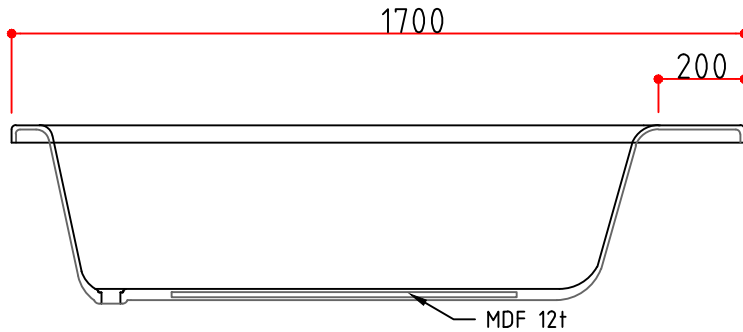


⊕ TOP VIEW



⊕ FRONT VIEW

■ PRODUCT NAME

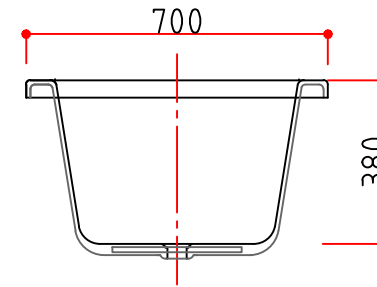
TOSCANA

■ 본체 부품 설치 사양표

NO	품명	수량	비고
1			
2			
3			
4			
5			
6			

■ OPTION

NO	품명	수량	비고
1			
2			



⊕ SIDE VIEW

NOTES	NO.	DATE	DESCRIPTION
		REV 00	2020. 10. 08.

PROJECT TITLE  
토스카나-N

Design	Scale	1/NON
Drawn	DATE	2020. 10. 08
Checked	Drawing Title	TOSCANA-N(A)
Approved	Drawing No.	IBT-1715
	Sheet No.	R-04



■ inferQua FACTORY  
438 SINHANG-RI DUNPO-MYOUN,  
AHSAN-SHI CHUNGNAM, SOUTH KOREA  
TEL : +82 - 41 - 531 - 7207.8  
FAX : +82 - 41 - 531 - 7209