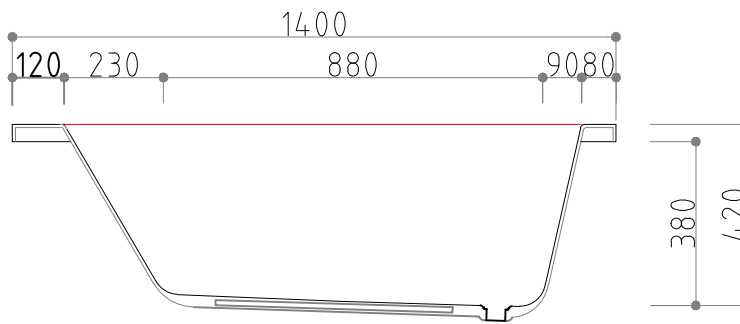
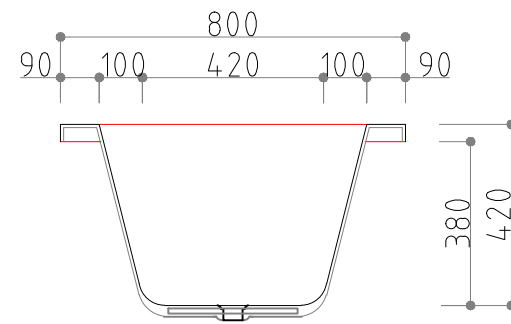


TOP VIEW



FRONT VIEW



SIDE VIEW

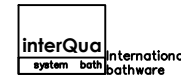
NOTES

NO.	DATE	DESCRIPTION
rev. 01	2021. 10. 26.	테크사이즈 변경

PROJECT TITLE

토스카나W

Design	Scale	1/NON
Drawn	DATE	2021. 10. 26.
Checked	Drawing Title	토스카나W
Approved	Drawing No.	Sheet No. R-04



interQua FACTORY

299-36, WANGNIM-RI SEONGHWAN-EUP,
CHEONAN-SI CHUNGCHONGNAM-DO,
REPUBLIC OF KOREA

TEL : +82 - 41 - 531 - 7207.8
FAX : +82 - 41 - 531 - 7209