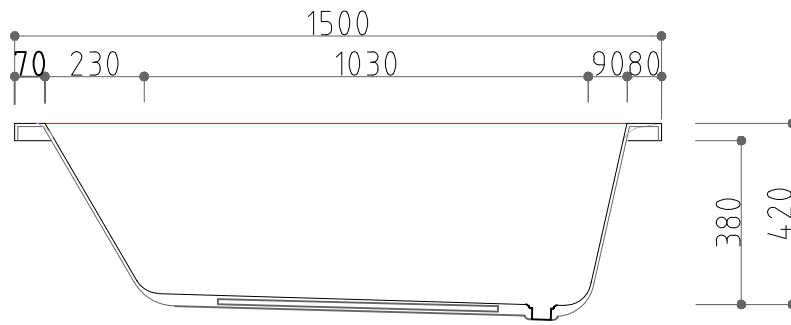
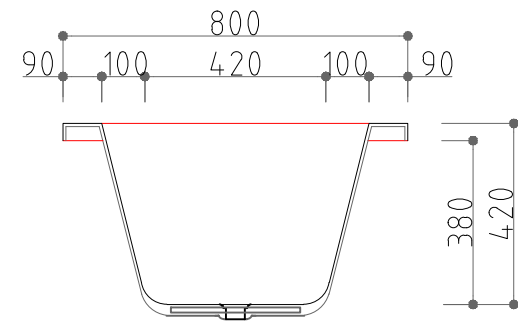


TOP VIEW



FRONT VIEW



SIDE VIEW

NOTES

NO.	DATE	DESCRIPTION	PROJECT TITLE
rev.01	20.11.20	상세치수 변경	

토스카나W

Design	Scale	1/NON
Drawn	DATE	2011. 10. 20.
Checked	Drawing Title	토스카나W
Approved	Drawing No.	Sheet No. R-04



**interQua FACTORY**  
 299-36, WANGNIM-RI SEONGHWAN-EUP,  
 CHEONAN-SI CHUNGCHONGNAM-DO,  
 REPUBLIC OF KOREA  
 TEL : +82 - 41 - 531 - 7207.8  
 FAX : +82 - 41 - 531 - 7209