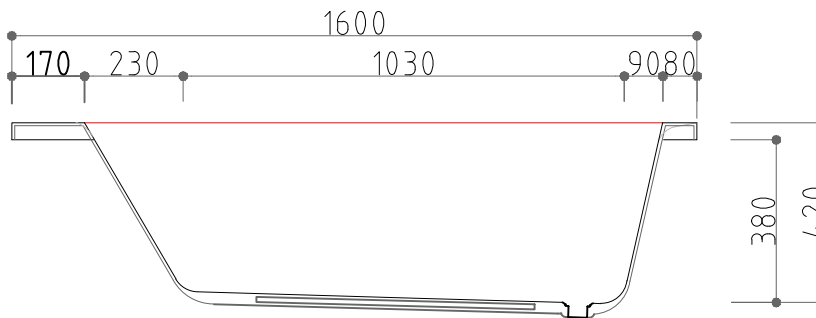
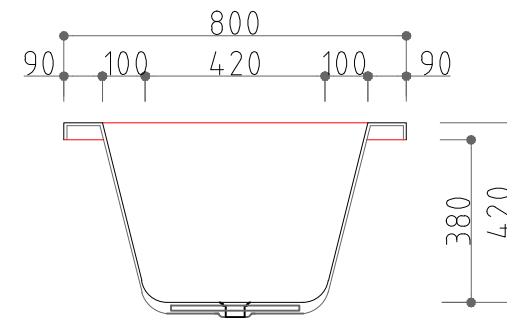


⊕ TOP VIEW



⊕ FRONT VIEW



⊕ SIDE VIEW

NOTES

REV NO.	REV DATE.	
REV 00	2011. 10. 20.	
REV 01	2018. 10. 12.	배수구 변경
REV 02	2021. 04. 08.	상세 치수 변경

PROJECT TITLE

토스카나W

Design	
Drawn	
Checked	
Approved	

Scale	1/NON
DATE	2011. 10. 20.
Drawing Title	TOSCANA-W
Drawing No.	IBT-1621
Sheet No.	R-04



interQua FACTORY
 299-36, WANGNIM-RI SEONGHWAN-EUP,
 CHEONAN-SI CHUNGHEONGNAM-DO,
 REPUBLIC OF KOREA
 TEL : +82 - 41 - 531 - 7207.8
 FAX : +82 - 41 - 531 - 7209