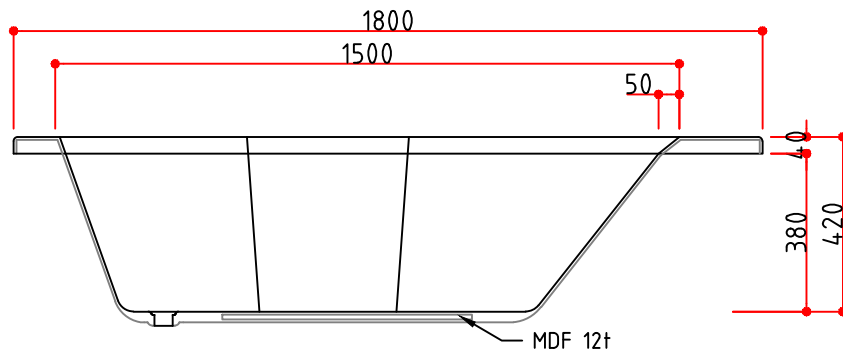
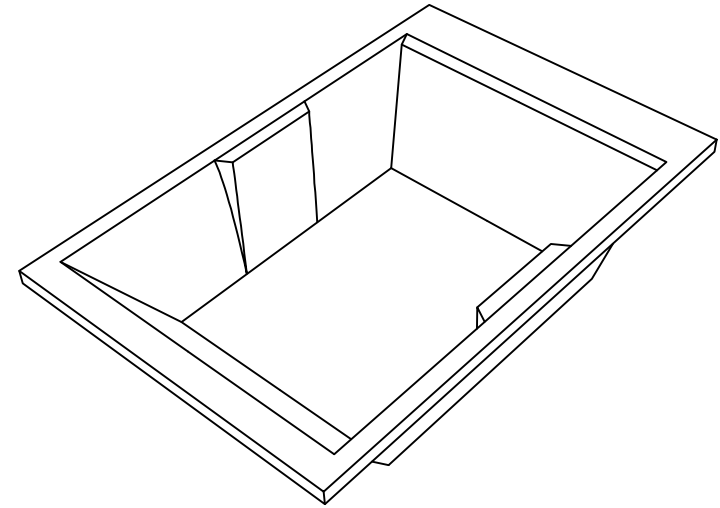
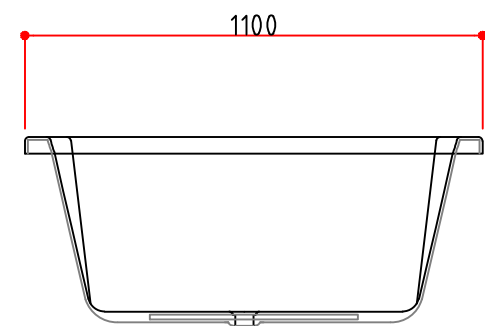


⊕ TOP VIEW



⊕ FRONT VIEW



⊕ SIDE VIEW

NOTES

NO.	DATE	DESCRIPTION

PROJECT TITLE
파체 (1100)

Design
Drawn
Checked
Approved

Scale 1/NON
DATE
Drawing Title
Drawing No. Sheet No. R-03



interQua FACTORY
299-36, WANGNIM-RI SEONGHWAN-EUP,
CHEONAN-SI CHUNGCHONGNAM-DO,
REPUBLIC OF KOREA
TEL : +82 - 41 - 531 - 7207.8
F A X : +82 - 41 - 531 - 7209