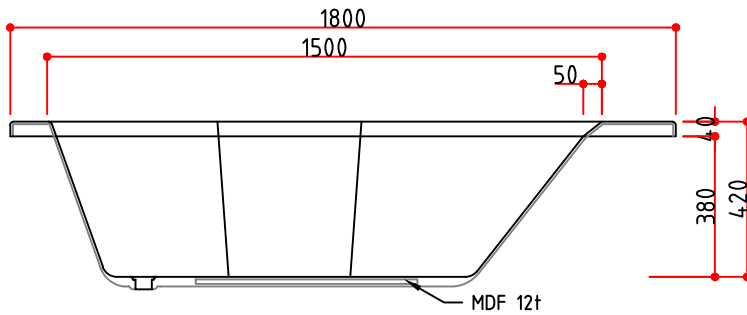
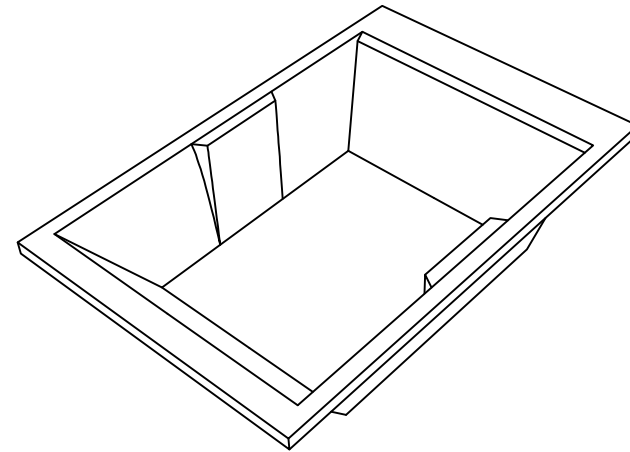
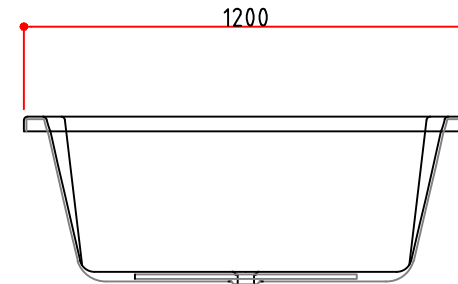


⊕ TOP VIEW



⊕ FRONT VIEW



⊕ SIDE VIEW

NOTES

REV NO.	REV DATE.	PROJECT TITLE
REV 00	2003. 10. 20.	파체
REV 01	2018. 5. 20.	
REV 02	2018. 10. 12.	

파체

Design \_\_\_\_\_  
 Drawn \_\_\_\_\_  
 Checked \_\_\_\_\_  
 Approved \_\_\_\_\_

Scale 1/NON  
 DATE 2003. 10. 20.  
 Drawing Title PACE  
 Drawing No. IBT-1803 Sheet No. R-03



interQua FACTORY  
 299-36, WANGNIM-RI SEONGHWAN-EUP,  
 CHEONAN-SI CHUNGCHONGNAM-DO,  
 REPUBLIC OF KOREA  
 TEL : +82 - 41 - 531 - 7207.8  
 FAX : +82 - 41 - 531 - 7209