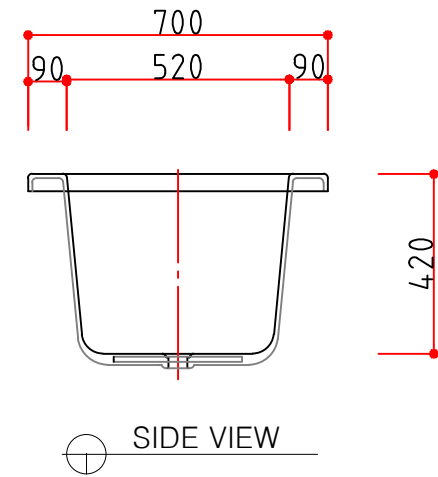
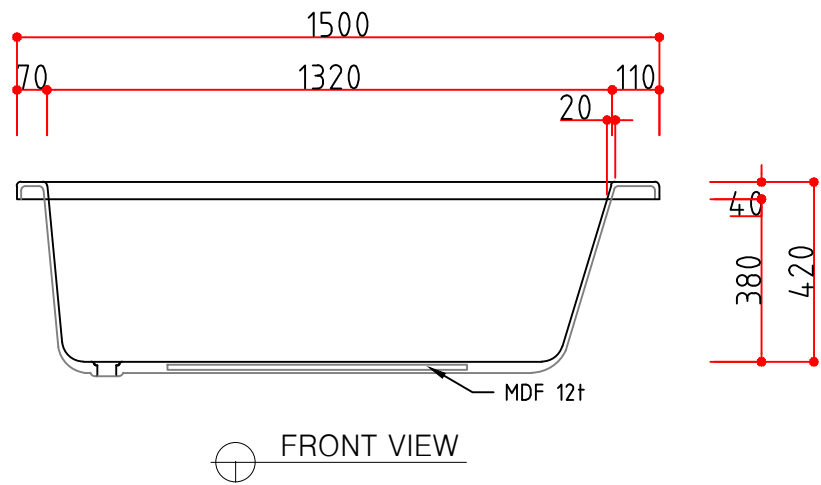


■ PRODUCT NAME

POPORO



NOTES

REV. NO.	REV. DATE.	PROJECT TITLE
REV 00	2003. 10. 20.	
REV 01	2018. 10. 12.	배수구 변경

포포로

Design	Scale	1/NON
Drawn	DATE	2003. 10. 20.
Checked	Drawing Title	POPORO
Approved	Drawing No.	IBT-1508
	Sheet No.	R-08



■ interQua FACTORY  
 299-36, WANGNIM-RI SEONGHWAN-EUP,  
 CHEONAN-SI CHUNGCHONGNAM-DO,  
 REPUBLIC OF KOREA  
 TEL : +82 - 41 - 531 - 7207.8  
 FAX : +82 - 41 - 531 - 7209