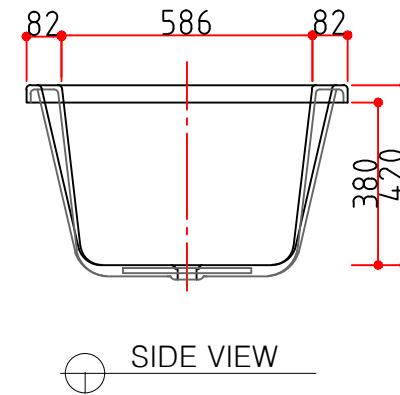
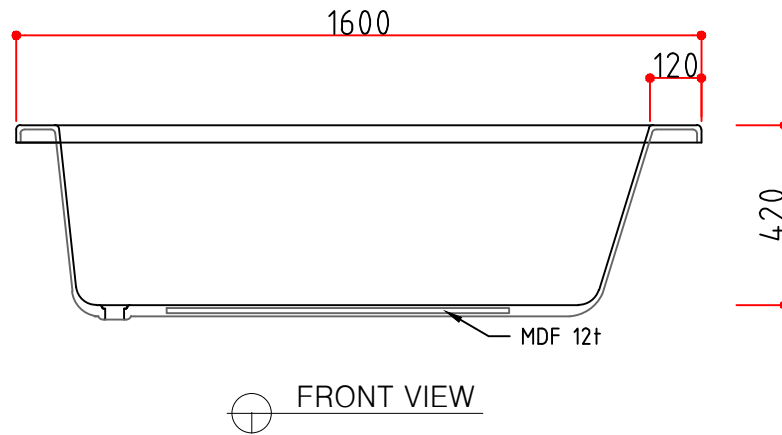


■ PRODUCT NAME

PURO



NOTES

REV NO.	REV DATE.	PROJECT TITLE
REV 00	2003. 10. 20.	푸로
REV 01	2018. 10. 12. 배수구 변경	
REV 02	2020. 02. 03. 상세치수 변경	

PROJECT TITLE

푸로

Design	Scale	1/NON
Drawn	DATE	2003. 10. 20.
Checked	Drawing Title	PURO
Approved	Drawing No.	IBT-1611 Sheet No. R-04



■ interQua FACTORY
299-36, WANGNIM-RI SEONGHWAN-EUP,
CHEONAN-SI CHUNGCHONGNAM-DO,
REPUBLIC OF KOREA
TEL : +82 - 41 - 531 - 7207.8
FAX : +82 - 41 - 531 - 7209