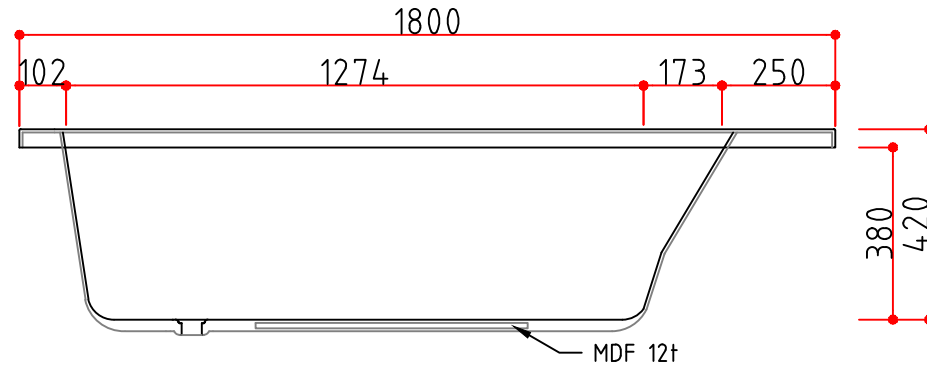


⊕ TOP VIEW



⊕ FRONT VIEW

NOTES

REV NO.	REV DATE.	PROJECT TITLE
REV 00	2012. 10. 20.	피렌체
REV 01	2018. 10. 12.	

Design	Scale
Drawn	DATE
Checked	Drawing Title
Approved	Drawing No.

1/NON
2012. 10. 20.
FIRENZE
IBT-1811 Sheet No. R-08



interQua FACTORY
 299-36, WANGNIM-RI SEONGHWAN-EUP,
 CHEONAN-SI CHUNGCHONGNAM-DO,
 REPUBLIC OF KOREA
 TEL : +82 - 41 - 531 - 7207,8
 FAX : +82 - 41 - 531 - 7209