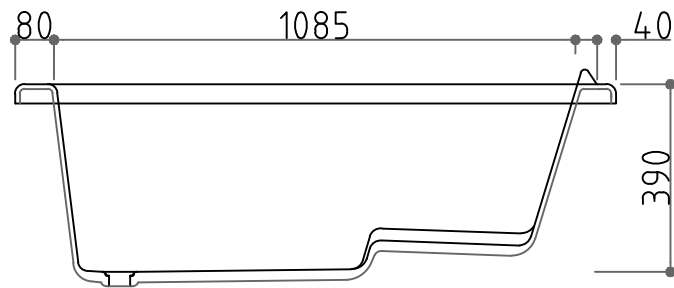
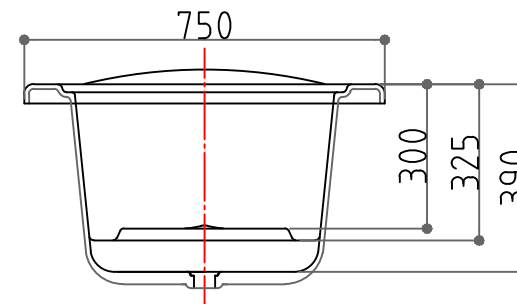


TOP VIEW



FRONT VIEW



SIDE VIEW

NOTES	REV. NO.	REV. DATE.	PROJECT TITLE
	REV 00	2019. 08. 26.	<h1>스텔라</h1>
	REV 01		

Design	Scale	1/NON
Drawn	DATE	2019. 08. 26.
Checked	Drawing Title	STELLA
Approved	Drawing No.	IBT-1302
	Sheet No.	G-10



interQua FACTORY
 299-36, WANGNIM-RI SEONGHWAN-EUP,
 CHEONAN-SI CHUNGCHONGNAM-DO,
 REPUBLIC OF KOREA
 TEL : +82 - 41 - 531 - 7207.8
 FAX : +82 - 41 - 531 - 7209