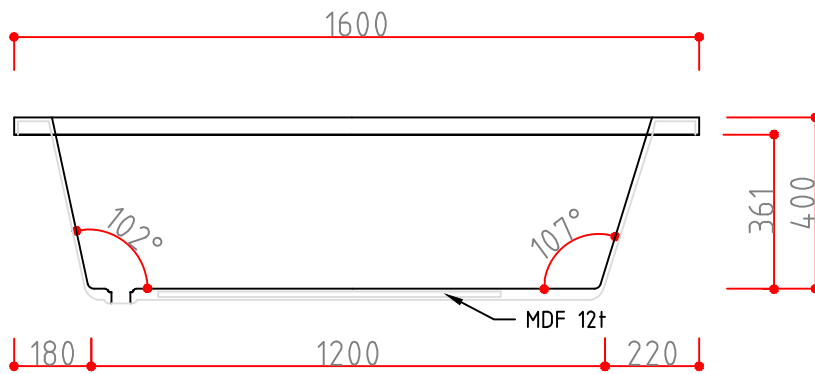


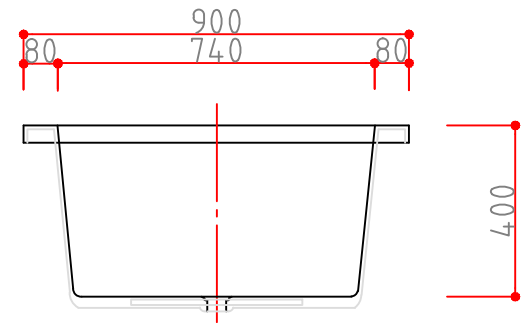
TOP VIEW

■ PRODUCT NAME

SPECCHIO



FRONT VIEW



SIDE VIEW

NOTES

REV NO.	REV DATE	PROJECT TITLE
REV 00	2003. 10. 20.	스페치오
REV 01	2018. 10. 12. 배수구 변경	
REV 02	2021. 04. 29. 상세치수 변경	

Design	Scale	1/NON
Drawn	DATE	2003. 10. 20.
Checked	Drawing Title	SPECCHIO
Approved	Drawing No.	IBT-1622 Sheet No. R-10



■ interQua FACTORY
 299-36, WANGNIM-RI SEONGHWAN-EUP,
 CHEONAN-SI CHUNGCHONGNAM-DO,
 REPUBLIC OF KOREA
 TEL : +82 - 41 - 531 - 7207.8
 FAX : +82 - 41 - 531 - 7209