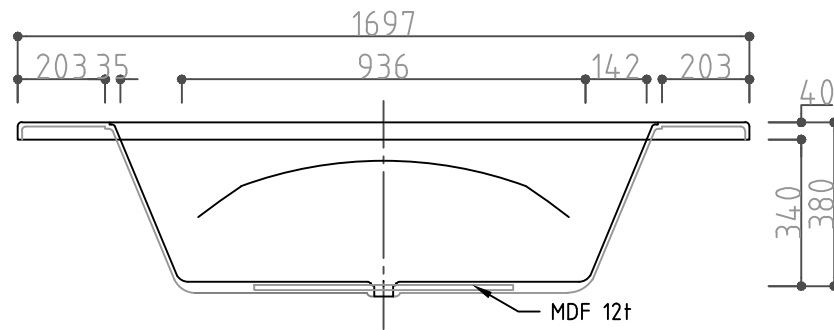


⊕ TOP VIEW



⊕ FRONT VIEW

■ PRODUCT NAME

아네모네

■ 본체 부품 설치 사양표

NO	품명	수량	비고
1		1	
2		1	
3		6	
4		1	
5		1	
6		1	

■ OPTION

NO	품명	수량	비고
1		1	
2		2	

NOTES

NO.	DATE	DESCRIPTION

PROJECT TITLE
아네모네

Design _____ Scale 1/NON
 Drawn _____ DATE 2016. 09. .
 Checked _____ Drawing Title _____
 Approved _____ Drawing No. _____ Sheet No. R-11



interQua international bathware

■ interQua FACTORY
 625-1 SINNAM-RI DUNPO-MYOUN,
 AHSAN-SHI CHUNGNAM, SOUTH KOREA
 TEL : +82 - 41 - 531 - 7207.8
 FAX : +82 - 41 - 531 - 7209