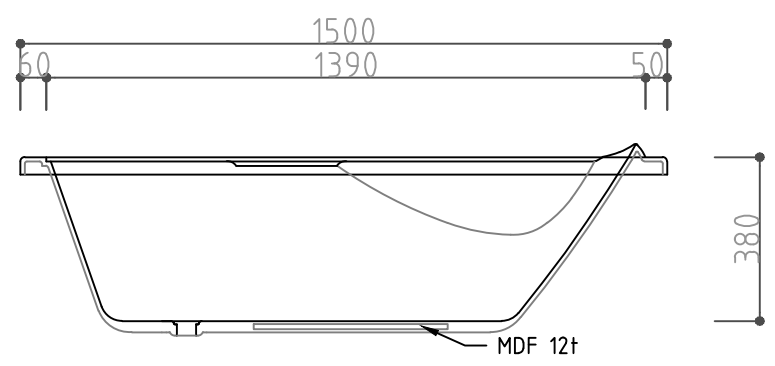
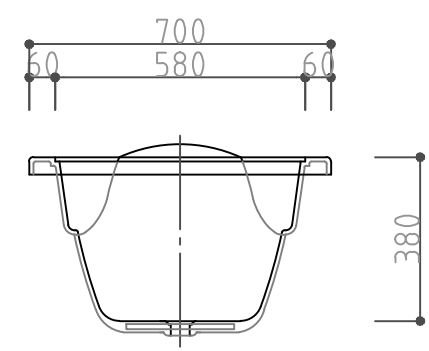


⊕ TOP VIEW

■ PRODUCT NAME
EROE



⊕ FRONT VIEW



⊕ SIDE VIEW

NOTES

NO.	DATE	DESCRIPTION

PROJECT TITLE
에로에

Design	Scale	1/NON
Drawn	DATE	2003. 10. 20.
Checked	Drawing Title	EROE
Approved	Drawing No.	Sheet No. R-05



■ interQua FACTORY
299-36, WANGNIM-RI SEONGHWAN-EUP,
CHEONAN-SI CHUNGCHONGNAM-DO,
REPUBLIC OF KOREA
TEL : +82 - 41 - 531 - 7207,8
FAX : +82 - 41 - 531 - 7209