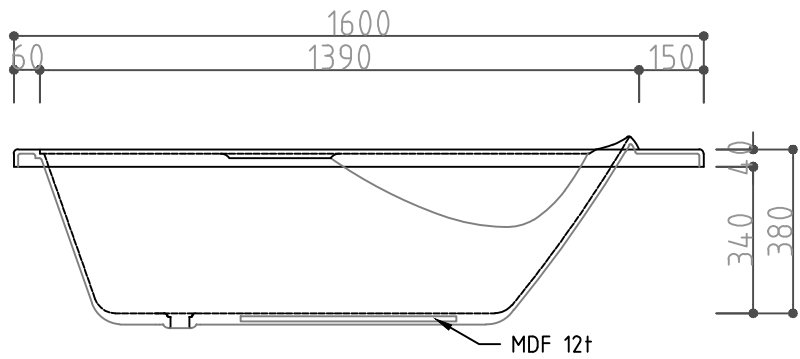


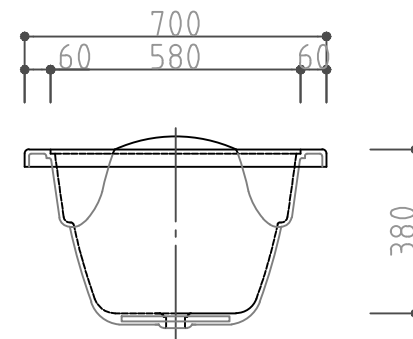
⊕ TOP VIEW

■ PRODUCT NAME

EROE



⊕ FRONT VIEW



⊕ SIDE VIEW

NOTES

NO.	DATE	DESCRIPTION

PROJECT TITLE  
**에로에(1600)**

Design	
Drawn	
Checked	
Approved	

Scale	1/NON
DATE	2016. 10. 20.
Drawing Title	EROE
Drawing No.	Sheet No. R-05



■ interQua FACTORY  
299-36, WANGNIM-RI SEONGHWAN-EUP,  
CHEONAN-SI CHUNGCHEONGNAM-DO,  
REPUBLIC OF KOREA  
TEL : +82 - 41 - 531 - 7207.8  
FAX : +82 - 41 - 531 - 7209