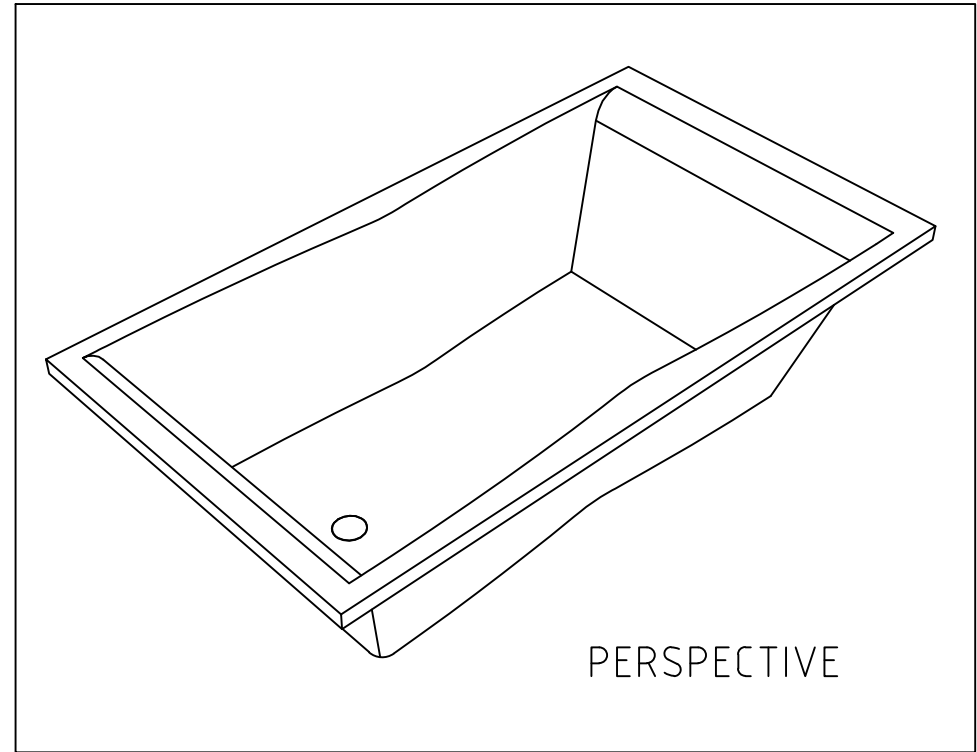
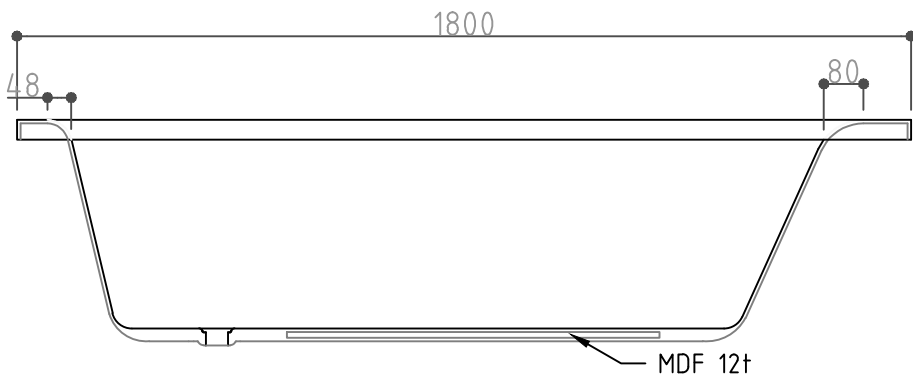


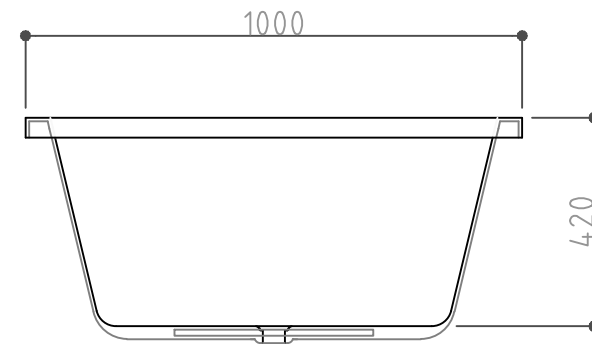
⊕ TOP VIEW



PERSPECTIVE



⊕ FRONT VIEW



⊕ SIDE VIEW

NOTES	NO.	DATE	DESCRIPTION	PROJECT TITLE

Design	Scale	1/NON
Drawn	DATE	
Checked	Drawing Title	
Approved	Drawing No.	Sheet No. R-03



interQua international bathware
interQua FACTORY
 438 SHINHANG-RI DUNPO-MYOUN,
 AHSAN-SHI CHUNGNAM, SOUTH KOREA
 TEL : +82 - 41 - 531 - 7207.8
 FAX : +82 - 41 - 531 - 7209