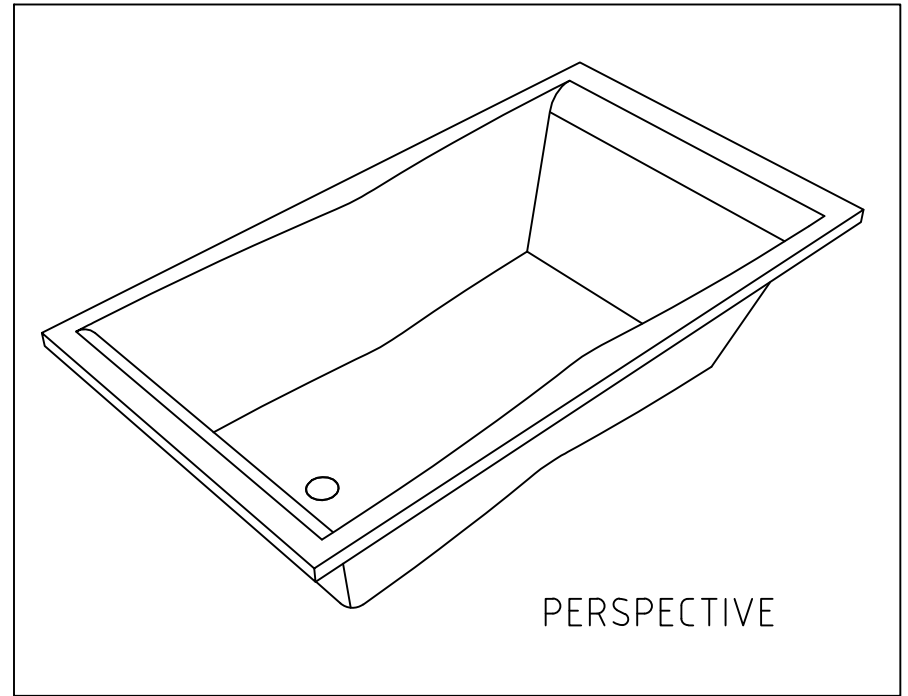
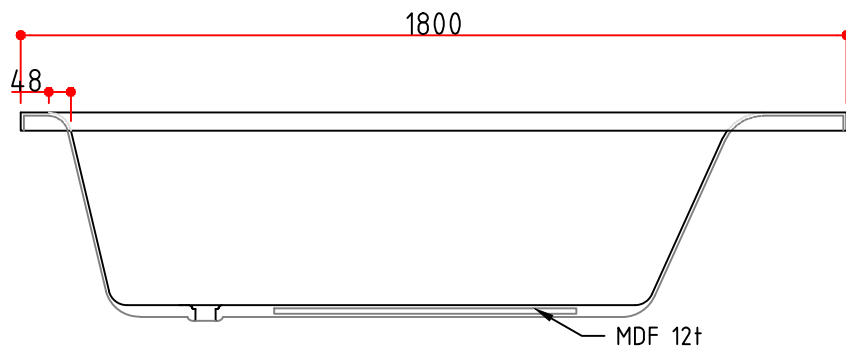


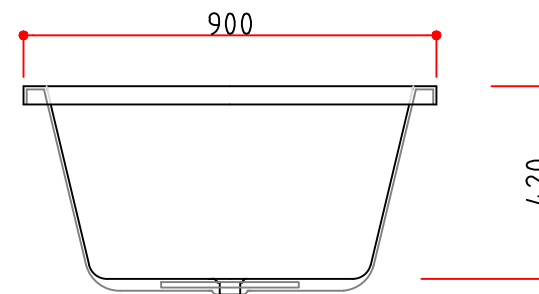
TOP VIEW



PERSPECTIVE



FRONT VIEW



SIDE VIEW

NOTES

REV NO.	REV DATE.	PROJECT TITLE
REV 00	2003. 10. 20.	우호
REV 01	2018. 5. 20. 배수구 변경	

Design	Scale	1/NON
Drawn	DATE	2003. 10. 20.
Checked	Drawing Title	UNO
Approved	Drawing No.	IBT-1804 Sheet No. R-04



interQua FACTORY
 299-36, WANGNIM-RI SEONGHWAN-EUP,
 CHEONAN-SI CHUNGCHONGNAM-DO,
 REPUBLIC OF KOREA
 TEL : +82 - 41 - 531 - 7207,8
 FAX : +82 - 41 - 531 - 7209