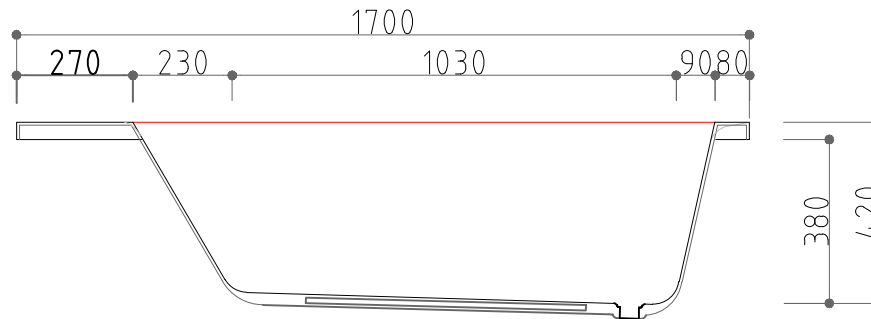
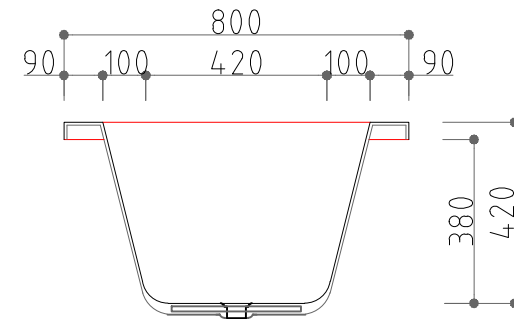


⊕ TOP VIEW



⊕ FRONT VIEW



⊕ SIDE VIEW

NOTES

NO.	DATE	DESCRIPTION	PROJECT TITLE
rev.01	20.11.20	상세치수 변경	토스카나W(1700)

Design	Scale	1/NON
Drawn	DATE	2011. 10. 20.
Checked	Drawing Title	토스카나
Approved	Drawing No.	Sheet No. R-04



interQua FACTORY
 299-36, WANGNIM-RI SEONGHWAN-EUP,
 CHEONAN-SI CHUNGCHEONGNAM-DO,
 REPUBLIC OF KOREA
 TEL : +82 - 41 - 531 - 7207.8
 FAX : +82 - 41 - 531 - 7209